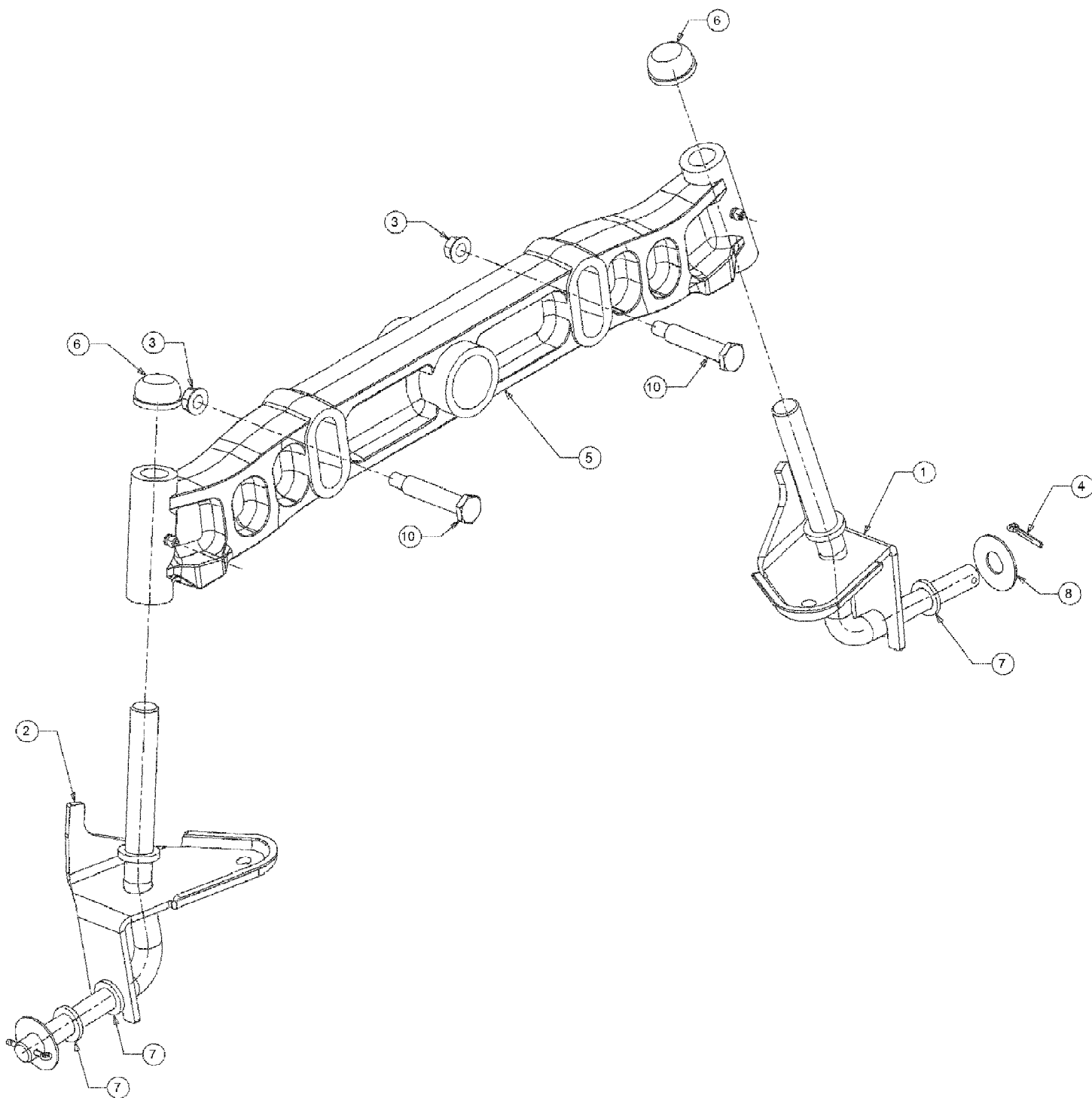


13B4516N190 RD-1750 (2003)
Axle Assembly

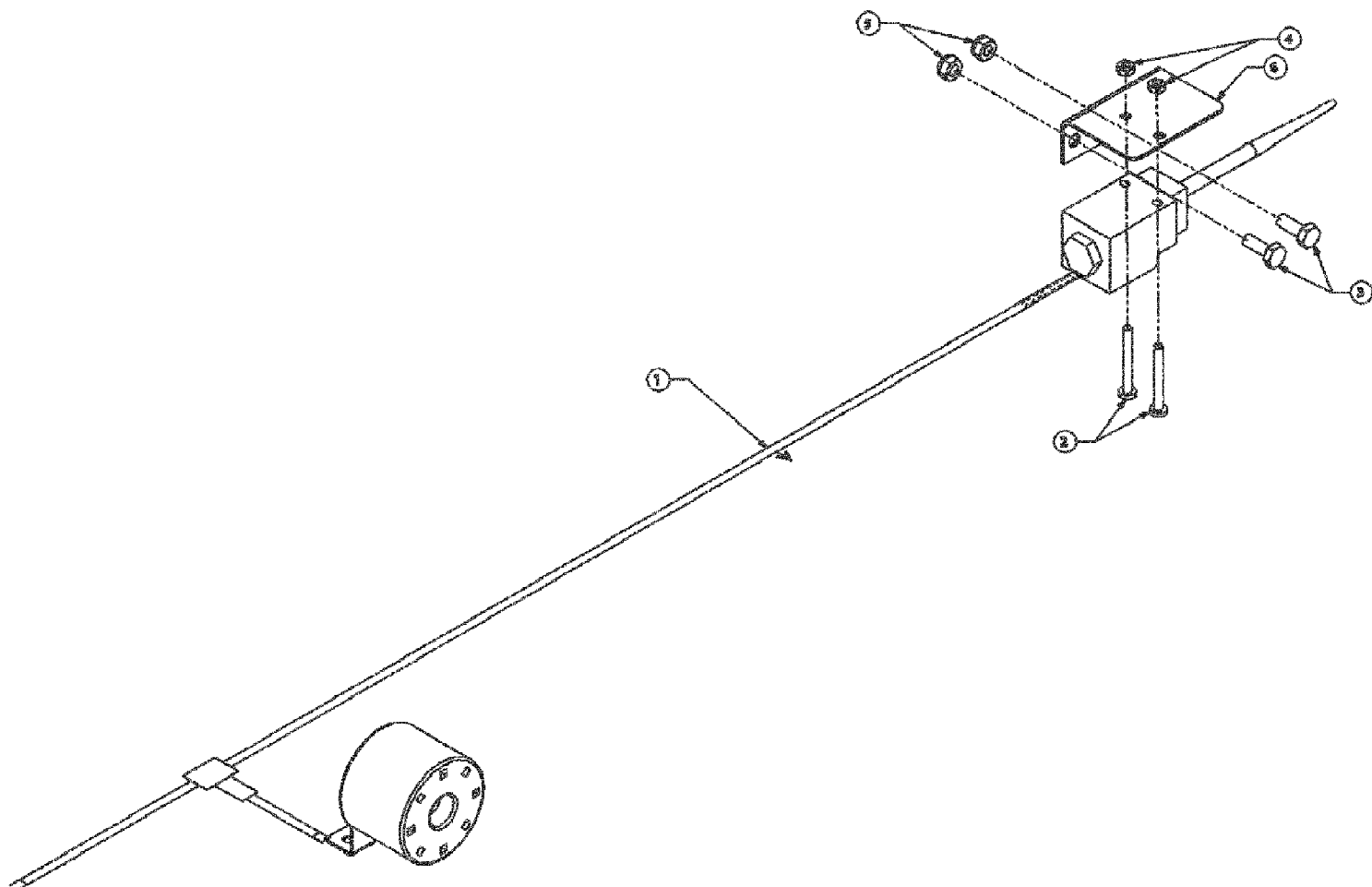


13B4516N190 RD-1750 (2003)
Axle Assembly

Page 2 of 69

Ref #	Part Number	Qty	S/P/F	Description
10	738-1011	2	S	SCR:SHLDR:.500 X 2.230:3/8-16
?9	737-3007	0.04		GRES:ALVANIA EP 2
8	736-0285	2	/P	WASH:FL: .635 X 1.589 X .060
7	736-0162	4	/P	WASHER:FL .64ID X 1.00OD X .1
6	726-0341	2	/P	CAP:PUSH:3/4
5	719-0525B	1	S	AXLE:PIVOT:BAR CAST .750 DIA
4	714-0162	2	/P	PIN:COT:5/32:1.25
3	712-0431	2	S	NUT:FLGLK:3/8-16:GRF:TOP LK
2	638-0024	1		AXLE ASM:RH .750 DIA
1	638-0023	1		AXLE ASM:LH .750 DIA

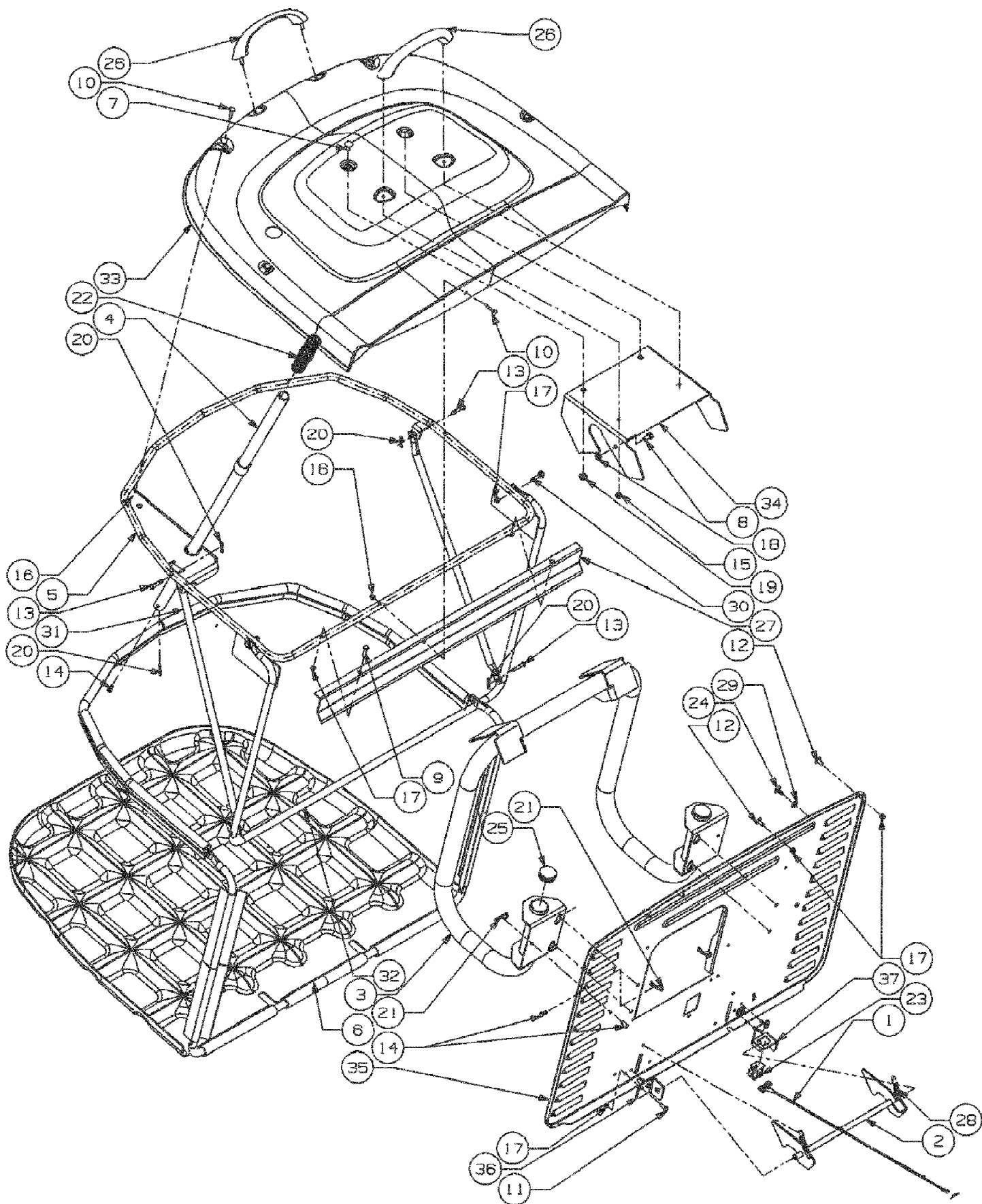
13B4516N190 RD-1750 (2003)
Bag Harness



13B4516N190 RD-1750 (2003)
Bag Harness

Page 4 of 69

Ref #	Part Number	Qty	S/P/F	Description
6	783-0933	1		BRKT:SW:BAG FULL
5	712-0691	2		NUT:HEXLK:M6-1:NYLON DIN 985
4	712-0636	2		NUT:HEX:M4:DIN 985
3	710-1690	2		SCR:M6-1:16.00 LG DIN 933
2	710-1397	2		SCR:M4-.5:35.00 LG DIN 7985
1	629-1089A	1	S	HARN ASM:500:BAG FULL

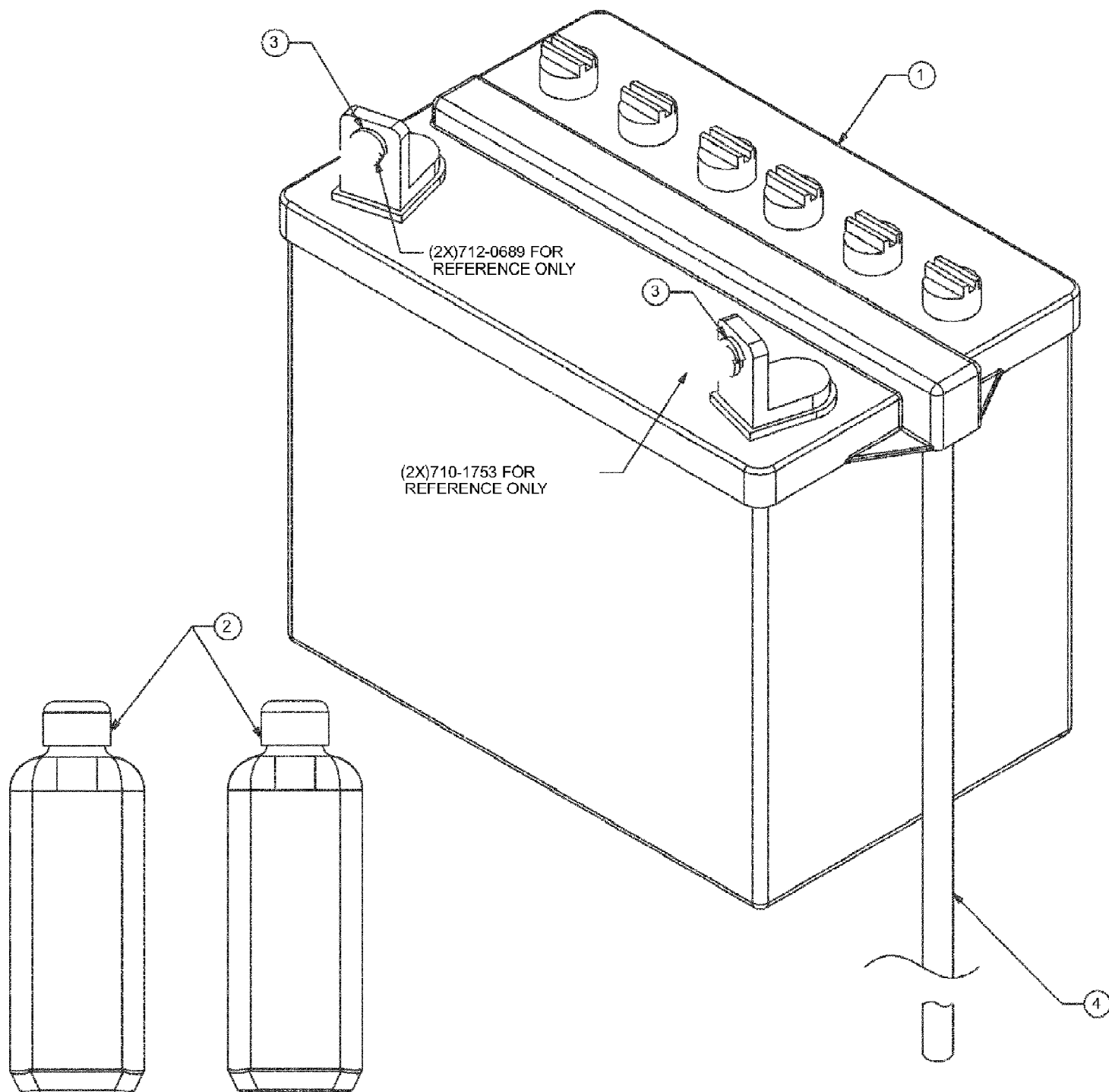


13B4516N190 RD-1750 (2003)
Bagger Assembly

Page 6 of 69

Ref #	Part Number	Qty	S/P/F	Description
37	783-1392	1	S	BRKT:LATCH:MT:SW BAG 250L/300L
36	783-1391	1	S	BRKT:MT:LATCH BAG 250L/300L
35	783-1358A	1	S	PLT:END:RR DIS:500 SERIES
34	783-04180	1		BRKT:HOOK:BAG 300L
33	783-04179	1		CVR:BAG:HT:300L
32	749-1412	1	S	TUBE:FRM:FRT:BAG 250 L/300 L
31	749-04010	2	S	TUBE:SUPT:CROSS GRSBG 250/300
30	738-1183	2	S	SCR:SHLDR:9.5MMX5MM:M6-1X24 LG
29	736-0463	2	S	WASH:FLAT .25 X.630 X.0515
28	732-0264	2	S	EXTENSION SPRING
27	731-2835A	1	S	EXTRS:SEAL:BAG 250L/300L
26	731-04174	2		HNDL:BAG:W/SCR 400/500 S
25	731-04048	2		CAP:TUBE:SUPT 300L/250L BAG
24	726-3046	2	/P	CLIP:RTCHT:.250 DIA
23	725-3167	1		SW:MT:SNAP NO
22	720-0204	1	/P	GRIP: 1.0 ID X 4.7 LG
21	714-0145	4	S	PIN:CLICK:.092 X 1.64 LG
20	714-0104	5	S	PIN:COT:.072 DIA. X 1.13 LG
19	712-3004A	2	/P	NUT:FLGLK:5/16-18:GR5:SD LK
18	712-0692	2		NUT:HEXLK:M8-1.25:NYLON DIN985
17	712-0691	12		NUT:HEXLK:M6-1:NYLON DIN 985
16	712-0642	5		NUT:FLGLK:M5-0.8
15	712-0271	4	/P	NUT:HEX:1/4-20:SEMS
14	711-0701	5	S	PIN:CLV:.25X.50
13	711-04138	4	S	PIN:CLV:.25 DIA X 1.25 LG
12	710-1765	4		SCR:TORX:M6-1 X 15.00
11	710-1690	4		SCR:M6-1:16.00 LG DIN 933
10	710-1612	5		BOLT:CRG:5MM X 30.0 LG
9	710-1399	2	/P	HHCS:M6-1X25:DIN 933 8.8
8	710-1376	2	/P	HHCS:M8-1.25:16.00:GR8.8:STD
7	710-0260A	2	/P	BOLT:CRG:5/16-18:.62:GR1
6	664-0110	1		GRSBAG ASM:RR DIS:300L 500S
5	649-04008	1	S	FRM ASM:TOP:GRSBG 300L
4	649-0138A	1	S	TUBE ASM:LVR:BAG 250L/300L
3	649-0132	1	S	FRM ASM:PIVOT:300L BAG
2	647-0063	1	S	LATCH ASM:BAG 250L/300L
1	629-1101A	1	S	HARN ASM:500:BAG PRESENT

13B4516N190 RD-1750 (2003)
Battery

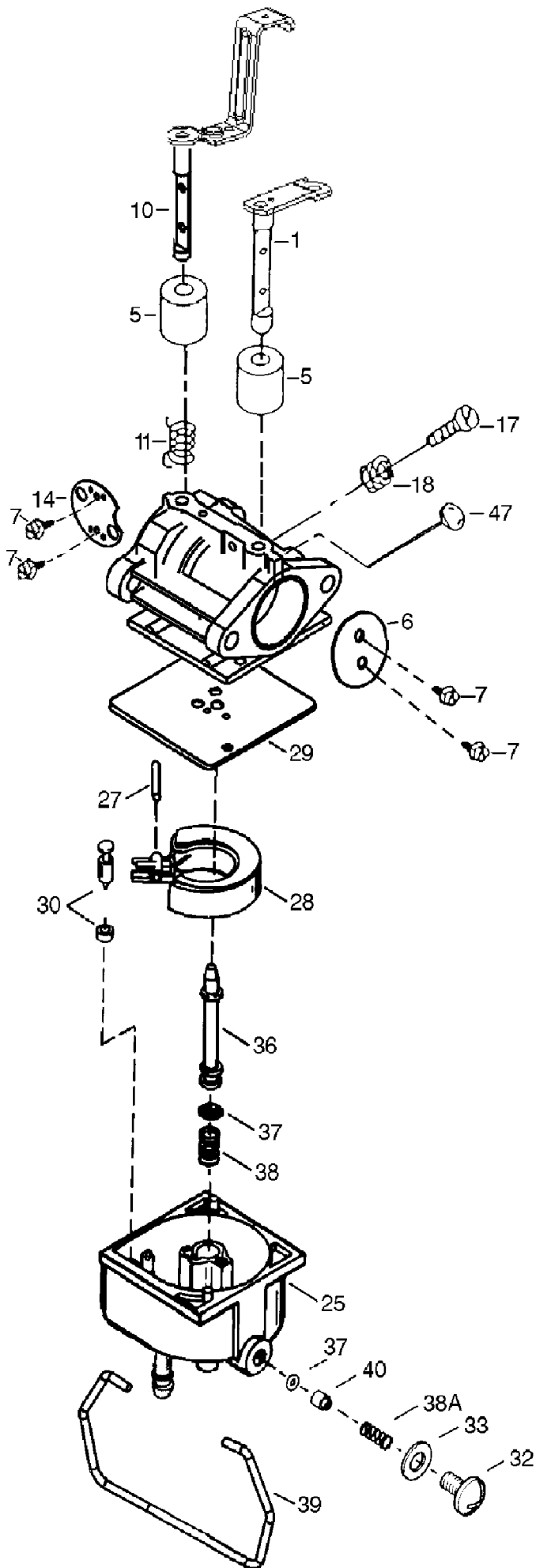


13B4516N190 RD-1750 (2003)
Battery

Page 8 of 69

Ref #	Part Number	Qty	S/P/F	Description
4	750-04016	1		HOSE:DRAIN
3	736-0648	2		WASH:LOCK:B6 DIN 127
2		1		PACK:ACID: 1 LITER (Purchase locally)
1	725-2057	1	S	BAT:U1:245 CCA DRY VENTED TOP

13B4516N190 RD-1750 (2003)
Carburetor TVT691-600405B

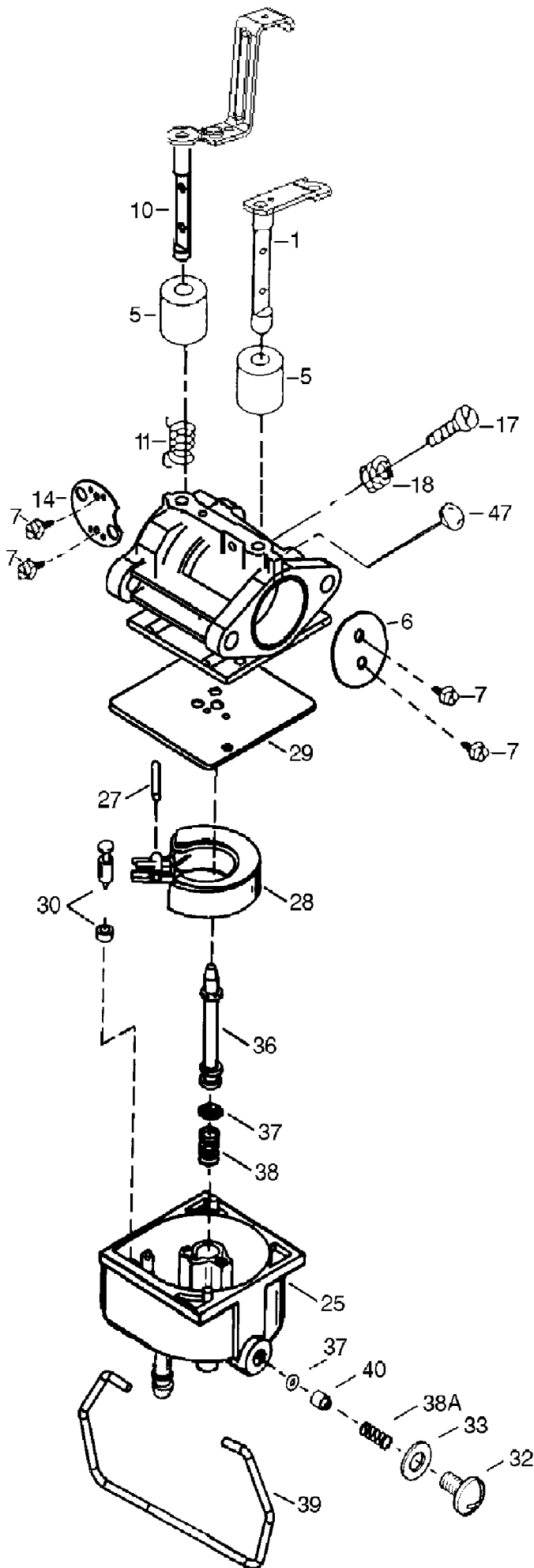


13B4516N190 RD-1750 (2003)
Carburetor TVT691-600405B

Page 10 of 69

Ref #	Part Number	Qty	S/P/F	Description
	TC-640221	1	/P	Carburetor (Incl 184 of Engine Parts Lists)
1	TC-640216	1		Throttle Shaft & Lever Assembly
5	TC-640037	1		Dust Seal
6	TC-640038	1		Throttle Shutter
7	TC-650506	1		Throttle & Choke Shutter Screws
10	TC-640217	1		Choke Shaft & Lever Assembly
11	TC-632785	1		Choke Return Spring
14	TC-64077	1		Choke Shutter
17	TC-651025	1		Throttle Crack Screw/Idle Speed Screw
18	TC-630766	1		Tension Spring
25	TC-640220	1		Float Bowl Assembly
?25A	TC-730649	1	/P	Float Bowl Repair Kit
27	TC-632544	1		Float Shaft
28	TC-632543	1	/P	Float
29	TC-640047	1	/P	Float Bowl to Body Gasket
30	TC-632709	1	/P	Inlet Needle & Seat
32	TC-640041	1		Bowl Drain Screw
33	TC-27110A	1		Bowl Drain Washer
36	TC-640067	1		Main Nozzle Tube
37	TC-632547	1		O-Ring
38	TC-632545	1	/P	Spring, Main Nozzle Tube
38A	TC-36918	1		Spring
39	TC-640218A	1		Float Bowl Retainer
40	TC-640219	1		Main Fuel Jet
47	TC-630748	1		Welch Plug, Idle Mixing Well

13B4516N190 RD-1750 (2003)
Carburetor TVT691-600810B

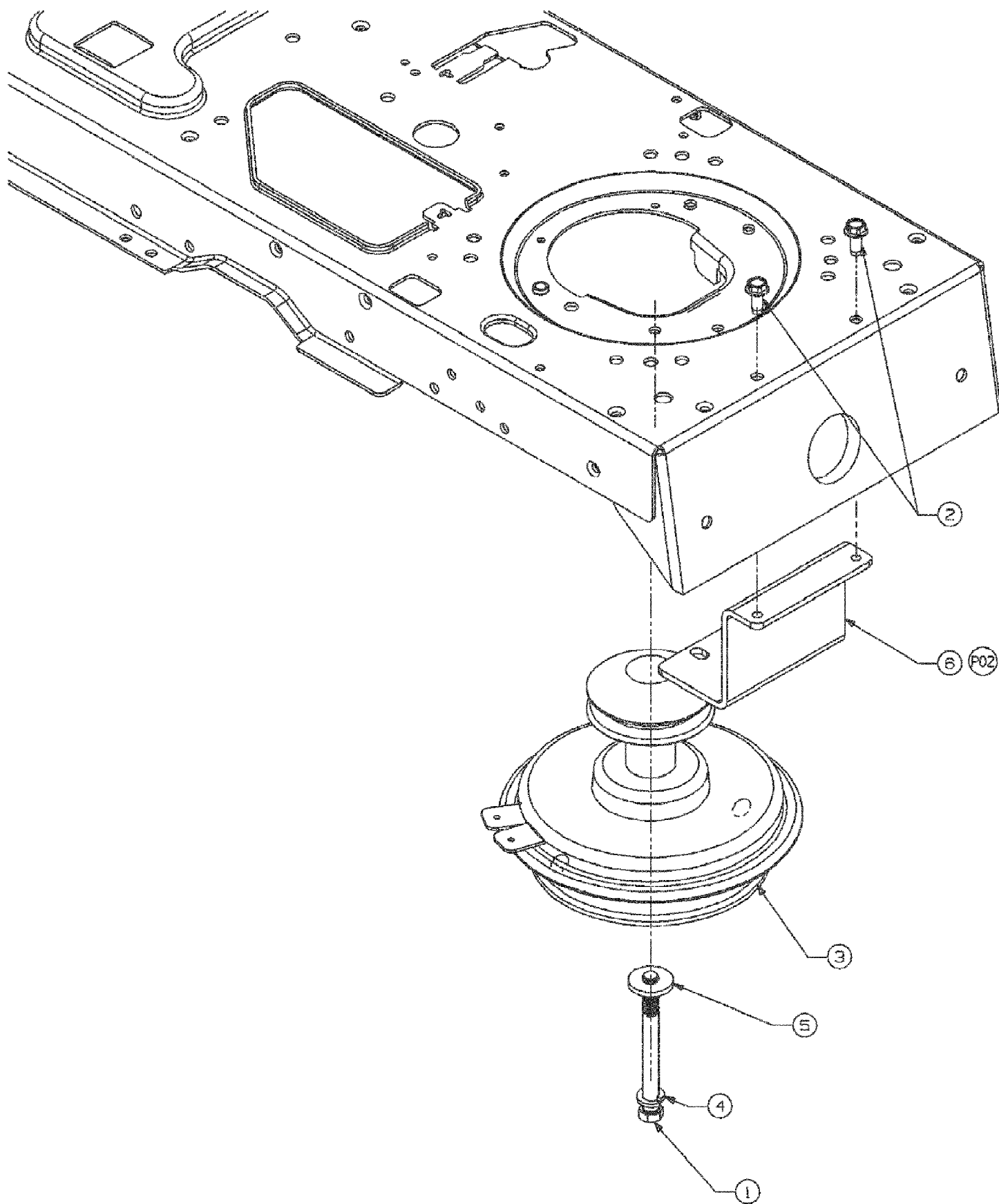


13B4516N190 RD-1750 (2003)
Carburetor TVT691-600810B

Page 12 of 69

Ref #	Part Number	Qty	S/P/F	Description
	TC-640221	1	/P	Carburetor (Incl 184 of Engine Parts Lists)
1	TC-640216	1		Throttle Shaft & Lever Assembly
5	TC-640037	1		Dust Seal
6	TC-640038	1		Throttle Shutter
7	TC-650506	1		Throttle & Choke Shutter Screws
10	TC-640217	1		Choke Shaft & Lever Assembly
11	TC-632785	1		Choke Return Spring
14	TC-64077	1		Choke Shutter
17	TC-651025	1		Throttle Crack Screw/Idle Speed Screw
18	TC-630766	1		Tension Spring
25	TC-640220	1		Float Bowl Assembly
?25A	TC-730649	1	/P	Float Bowl Repair Kit
27	TC-632544	1		Float Shaft
28	TC-632543	1	/P	Float
29	TC-640047	1	/P	Float Bowl to Body Gasket
30	TC-632709	1	/P	Inlet Needle & Seat
32	TC-640041	1		Bowl Drain Screw
33	TC-27110A	1		Bowl Drain Washer
36	TC-640067	1		Main Nozzle Tube
37	TC-632547	1		O-Ring
38	TC-632545	1	/P	Spring, Main Nozzle Tube
38A	TC-36918	1		Spring
39	TC-640218A	1		Float Bowl Retainer
40	TC-640219	1		Main Fuel Jet
47	TC-630748	1		Welch Plug, Idle Mixing Well

13B4516N190 RD-1750 (2003)
Clutch

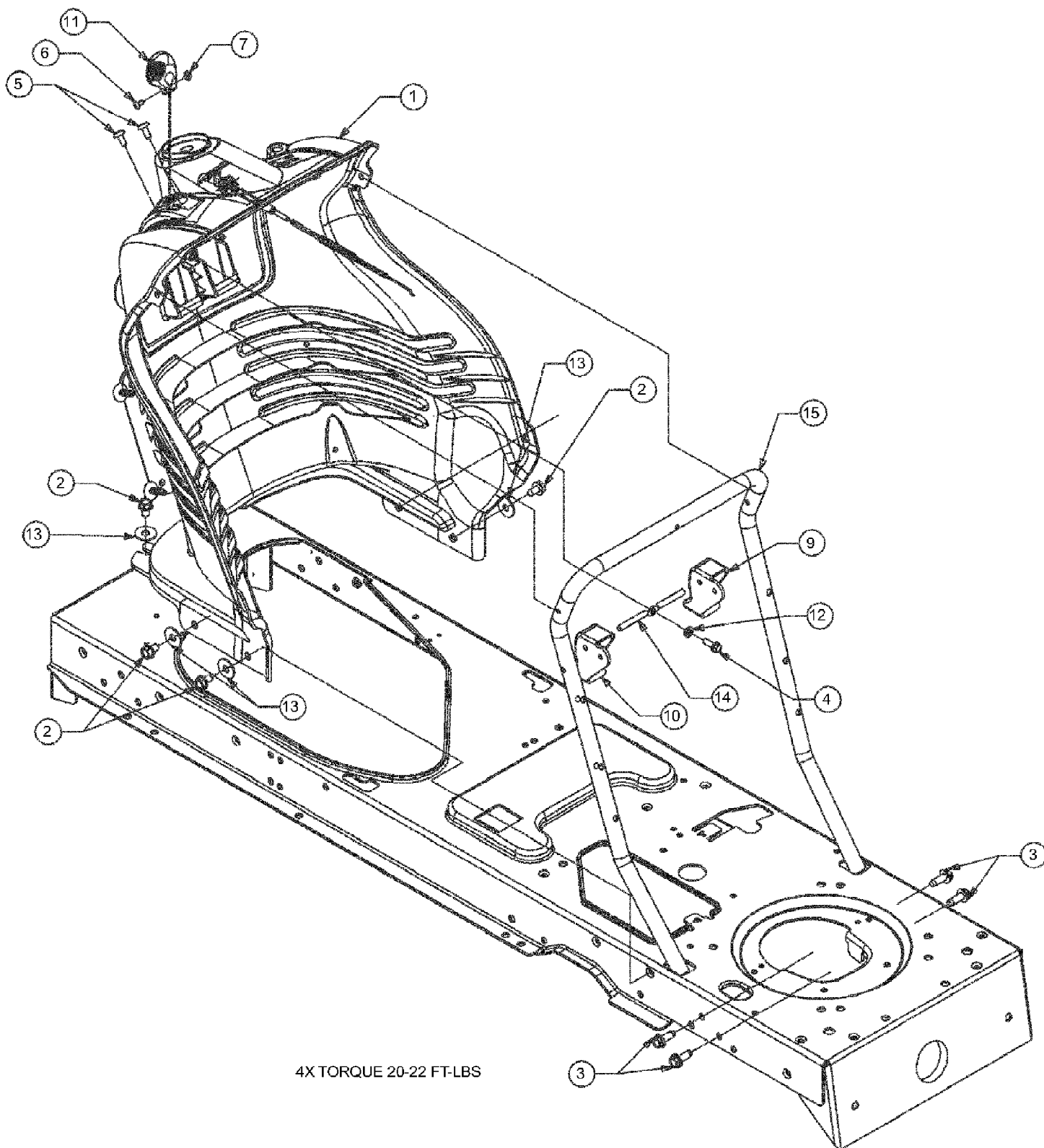


13B4516N190 RD-1750 (2003)
Clutch

Page 14 of 69

Ref #	Part Number	Qty	S/P/F	Description
6	783-04000A	1	S	BRKT:STOP
5	736-0322	1	/P	WASH:FL:.450 IDX 1.250 ODX .164
4	736-0171	1	S	WASH:LOCK: 7/16 : REGULAR DUTY
3	717-1788A	1	S	CLU:HYDRO:BRC
2	710-1260A	2	/P	SCR:LD:5/16-18:0.750:HXINDWSH
1	710-04002	1		HHCS:7/16-20:4.50:GR5:STD

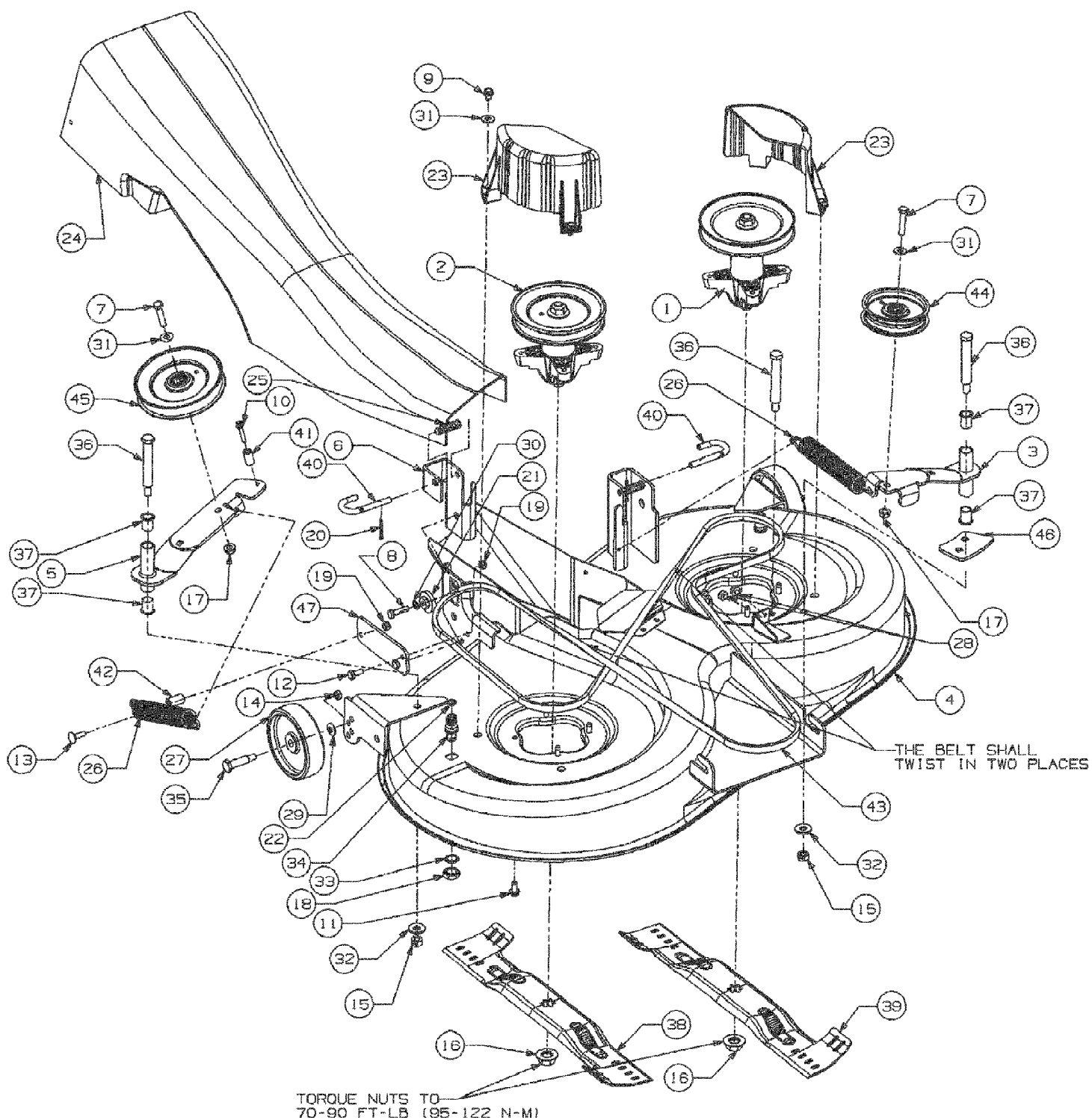
13B4516N190 RD-1750 (2003)
Dash



13B4516N190 RD-1750 (2003)
Dash

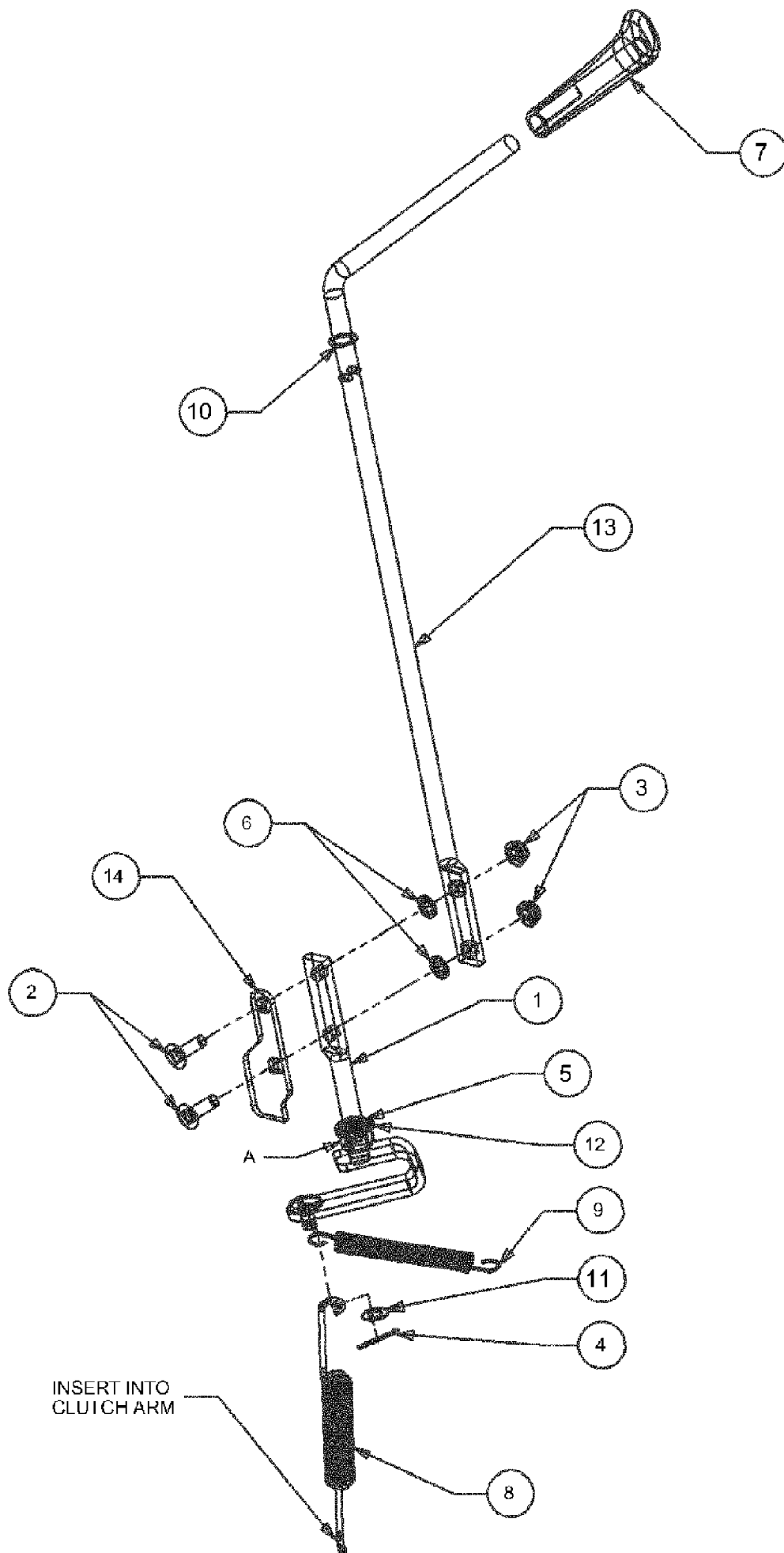
Page 16 of 69

Ref #	Part Number	Qty	S/P/F	Description
15	749-1087C	1	S	TUBE:DASH:SUPT
14	747-1155	1		ROD:LVR:BRAKE/CRUISE PIVOT
13	736-3078	5	/P	FL-WASH .344 X 1.00 X .063 HDN
12	736-0142	1	S	WASH:FLAT:.281 X .50 X .063
11	731-1857	1		KNOB:CONT
10	731-04214	1		LVR:DASH:CRUISE
9	731-04213	1		LVR:DASH:BRAKE
?8	726-04029	6		CLIP:RTCHT:.300 DIA
7	712-0142	1	/P	NUT:8-32:HEX MACH SCR:
6	710-3217	1	/P	SCR:MACH:#8-32:0.375:TRUSPHI
5	710-1017	2	/P	SCR:AB:1/4-14:0.625:TRUSTRXI
4	710-0895	1		SCR:HL:1/4-15:0.750:HXINDWSH
3	710-0650	4	/P	SCR:TT:5/16-18:0.875:HXINDWSH
2	710-0604A	5	/P	SCR:TT:5/16-18:0.625:HXINDWSH
1	631-04035	1		DASH ASM:4 STYLE:CARGO NET



Ref #	Part Number	Qty	S/P/F	Description
47	783-04255	1	S	BRKT:DECK:SPR 500 SERIES
46	783-04240	1	S	BRKT:SUPT:IDLR:DECK
45	756-04050	1	S	PUL:IDLR:6.0 DIA.
44	756-04049	1	S	PUL:IDLR:4.0 DIA.
43	754-0631	1	S	BELT:V TYP:5 L X 106 LG KEVL
42	750-04195	1		SPCR:16X8X27 DIN 2391
41	750-04182	1		SPCR:14MM OD X 7MM ID
40	747-04116	2	S	ROD:HNDL:DECK REL .375 DIA
39	742-04025A	1	S	BLADE:LH:21.35 LG:STAR BAG
38	742-04024A	1	S	BLADE:RH:21.35 LG:STAR BAG
37	741-0591	4	S	BRG:FLG:.630 ID X .693 OD X .875
36	738-0476	3		SCR:SHLDR:.625 X 3.50:7/16-14
35	738-0373	2	S	SHLD-SCR .498 DIA X 1.53 LNG
34	737-04003	2	S	NOZ:DECK:WATER
33	736-0760	2	S	WASH:LOCK:SCHNORR 17X23.8X1.95
32	736-04097	2	S	WASH:FLAT:.469 X 1.125 X .125
31	736-0300	6	S	WASH:FLAT:.406 X .875 X .059
30	736-0119	1	S	WASH:LOCK:5/16:REGULAR DUTY
29	736-0105	2	/P	WASH:BELL:.375 X .870 X .063
28	735-0271	2	S	BMPR: .62 DIA X .3
27	734-0973	2	/P	DECK WHEEL 5.0 X 1.38
26	732-04099	2		SPR:EXT:1.25 DIA X 8.224 LG
25	732-0306	2	S	SPR:CMPRS:.406X.531X1.75 LG
24	731-2539A	1		CHUTE:DIS:RR:105CM DECK
23	731-2538	2		CVR:DECK:BELT:92cm/105cm
22	721-0417	2	S	SEAL:O-RG:16mm OD X 11mm ID
21	717-1553B	1	S	ADJ:DECK:GEAR
20	714-0470	2	S	PIN:COT:1/8 X 1.25
19	712-0692	3		NUT:HEXLK:M8-1.25:NYLON DIN985
18	712-0641	2	S	NUT:HEX:M16-1.5 DIN 936
17	712-0431	2	S	NUT:FLGLK:3/8-16:GRF:TOP LK
16	712-0417A	2	/P	NUT:HEX FLG:5/8-18
15	712-0290	2	/P	NUT:HEXLK:7/16-14:GRA:CTRLK
14	712-0181	2	S	NUT:JAM:3/8-16:TOP LOCK
13	710-1719	1	/P	BOLT:CRG:M8 X 1.25 X 50 LG
12	710-1681	2	/P	HHCS:M8-1.25:20.00:GR8.8:STD
11	710-1260A	8	/P	SCR:LD:5/16-18:0.750:HXINDWSH
10	710-0778	1	/P	SCR:TT:1/4-20:1.500:HXINDWSH
9	710-0607	4	/P	SCR:TT:5/16-18:0.500:HXINDWSH
8	710-0528	1	/P	HHCS:5/16-18:1.25:GR5:STD
7	710-0347	2	/P	HHCS:3/8-16:1.75:GR5:STD
6	683-0596	1	S	BRKT ASM:DECK:HNGR ADJ 92/105
5	683-04061	1	S	BRKT ASM:IDLR:V-PUL
4	683-04059	1	S	DECK ASM:RR DIS:105 CM
3	683-04058	1	S	BRKT ASM:IDLR:DECK 500 S
2	618-0624	1	S	SPDL ASM:PUL:6.3 DIA
1	618-0609	1	S	SPDL ASM:PUL:6.418 DIA X .5625

13B4516N190 RD-1750 (2003)
Deck Engagement

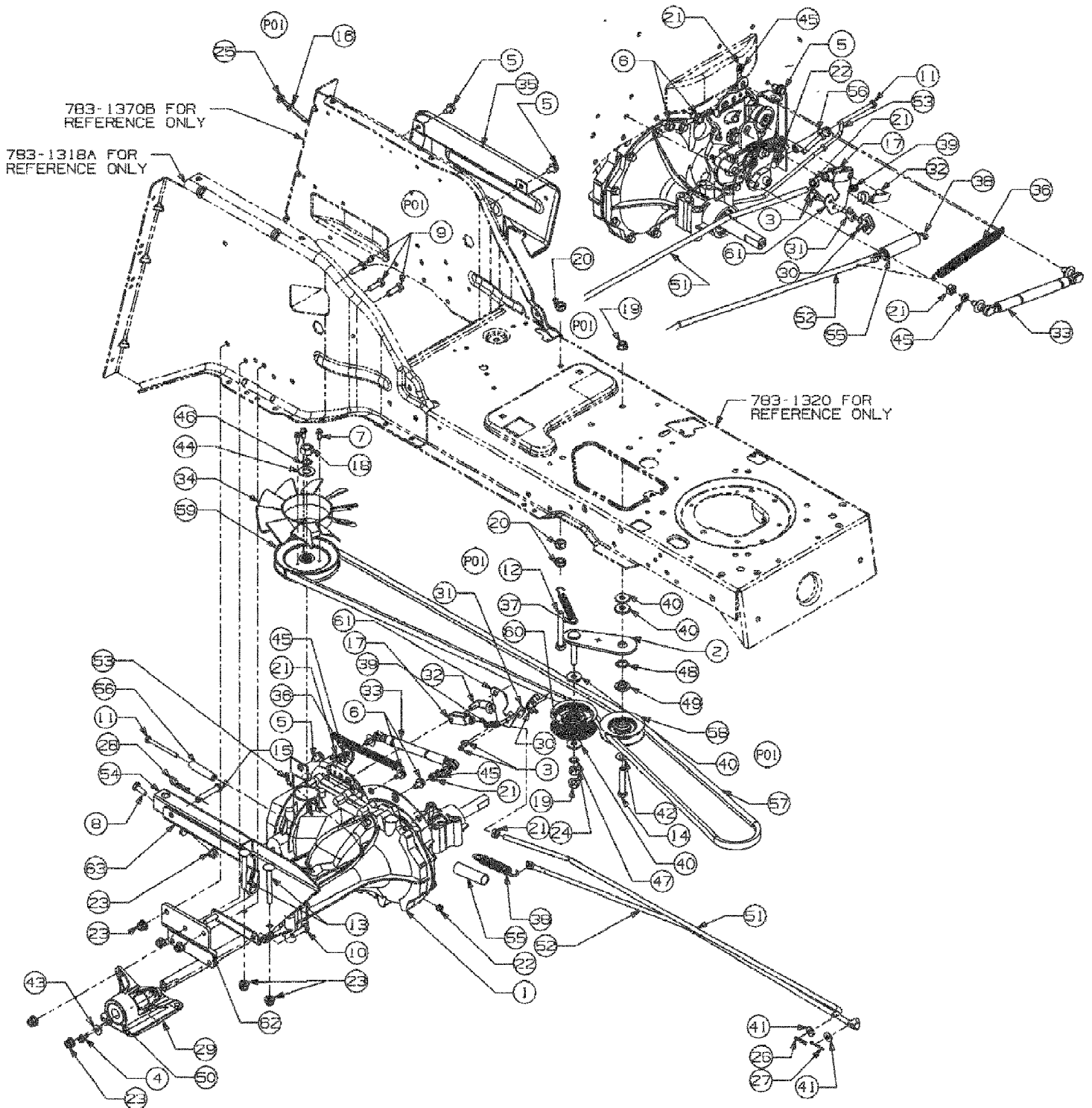


13B4516N190 RD-1750 (2003)
Deck Engagement

Page 20 of 69

Ref #	Part Number	Qty	S/P/F	Description
14	783-1497	1		BRKT:ENGAG:STOP
13	747-1112D	1	S	HNDL:DECK:ENGAGE
12	741-0708	1		BRG:FLG:HEX SPLIT .500 ID
11	736-0314	1	S	WASH:THRST:~.375x.70x.030
10	736-0108	1	S	WASH:FLAT:~.510 X .750 X .033
9	732-1165	1	S	SPR:EXTN:~.50 DIA X 5.0 LG
8	732-04000	1		SPR:EXTN:~.75 OD X 10.6 LG
7	731-2111A	1	S	KNOB:PTO
6	726-0201	2		NUT:SPD:~.3125 ID
5	716-0104	1	S	E-RING FOR .500 DIA SHAFT
4	714-0111	1	S	PIN:COT:3/32:1.0
3	712-3004A	2	/P	NUT:FLGLK:5/16-18:GR5:SD LK
2	710-0276	2	/P	SCR:CARR:SPL:5/16-18:1.00
1	647-0066	1		LVR ASM:ENGAGE 500

13B4516N190 RD-1750 (2003)
Drive



Ref #	Part Number	Qty	S/P/F	Description
1	618-0389A	1		TRANS ASM:HYDRO
2	683-0604A	1		BRKT ASM:IDLR:DBL
3	710-0227	2	/P	SCR:AB:#8-18:0.500:HXINDWSH
4	710-0599	1	/P	SCR:TT:1/4-20:0.500:HXINDWSH
5	710-0604A	3	/P	SCR:TT:5/16-18:0.625:HXINDWSH
6	710-0607	2	/P	SCR:TT:5/16-18:0.500:HXINDWSH
7	710-1189	3		SCR:C:#12-24:0.625:HXINDWSH
8	710-1681	1	/P	HHCS:M8-1.25:20.00:GR8.8:STD
9	710-1682	3		HHCS:M8-1.25:25.00 LG DIN 933
10	710-1683	2	/P	HHCS:M8-1.25:30.00 LG DIN 933
11	710-1766	1		HHCS:M6-1:70.00:DIN 931
12	710-1771	1		BOLT:M10 X 70MM LG
13	710-1895	2		SCR:CARR:M8-1.25:75 LG DIN 603
14	710-3144	1	/P	HHCS:3/8-16:2.00:GR5:STD
15	711-0679A	1	/P	PIN:CLEVIS:3/8 DIA X 2.015
16	711-0747	1	S	PIN:GDE:.250 DIA X 1.68 LG
17	711-1407	1		FRL:M8-32 X 18 DIA DIN 71752
18	712-0333	1	S	NUT:HEX:1/2-20:GR2
19	712-0431	2	S	NUT:FLGLK:3/8-16:GRF:TOP LK
20	712-0637	3		NUT:M10 X 1.25
21	712-0690	3	/P	NUT:HEX:M8-1.25 DIN 934
22	712-0691	1		NUT:HEXLK:M6-1:NYLON DIN 985
23	712-0714	8		NUT:FLGLK:M8-1.25 DIN 6926
24	712-3017	1	S	NUT:HEX:3/8-16:GR8
25	712-3027	1	S	NUT:1/4-20:HEXFLG:LOK:GRF
26	714-0104	1	S	PIN:COT:.072 DIA. X 1.13 LG
27	714-0111	1	S	PIN:COT:3/32:1.0
28	714-0147	1		PIN:COT:.125 X 1.75 INTERNAL
29	719-0534	1		SUPT:CSTG
30	725-1773	1		SW:SPR:SHORT
31	726-0320	1	S	PLATE: INSULATOR NUT
32	726-0457	1		CLIP:M8-32 DIN 71752
33	727-0626	1		CYL: DAMPER
34	731-1449A	1	S	FAN:BLADE:10
35	731-2542A	1		CVR:HYDRO
36	732-0308	1	S	SPR:EXTN:.50 DIA X 6.37 LG
37	732-0429A	1	S	SPR:EXTN:.50 DIA X 3.97 LG
38	732-0716	1	S	SPR:EXT:.59 OD X 4.00 LG
39	732-0891A	1		SPR:CMPRS:9.6 MM OD X 21.5 LG
40	736-0258	4	/P	WASH:FLAT:.385 X 1.0 X .135
41	736-0275	2	S	WASH:FLAT:.344 X .688 X .065
42	736-0300	1	S	WASH:FLAT:.406 X .875 X .059
43	736-0685	1		WASH:FLAT:6.4 IDX18 OD DIN9021
44	736-0707	1		WASH:FLAT:15 ID X 28 OD DIN125
45	736-0708	2		WASH:SCHNORR:8MM
46	736-0751	1		WASH:LOCK:SCHNORR 13 X 18 X1.7
47	736-0755	1		WASH:LOCK:SCHNORR 10.5X16X1.6
48	736-0773	1		WASH:FLAT:16 X 21 X 1 DIN 988
49	738-0372B	1	/P	SPCR:SHLDR:1.00 X .38 X .38
50	741-0998	1		BRG:BALL:.75ID X 40MM OD X12MM
51	747-1301	1		ROD:CONT:HYDRO 500 LG
52	747-1302B	1		ROD:BRAKE:HYDRO 500 LONG
53	747-1315	1		ROD:HYDRO BYPASS 500 LWB

13B4516N190 RD-1750 (2003)
Drive

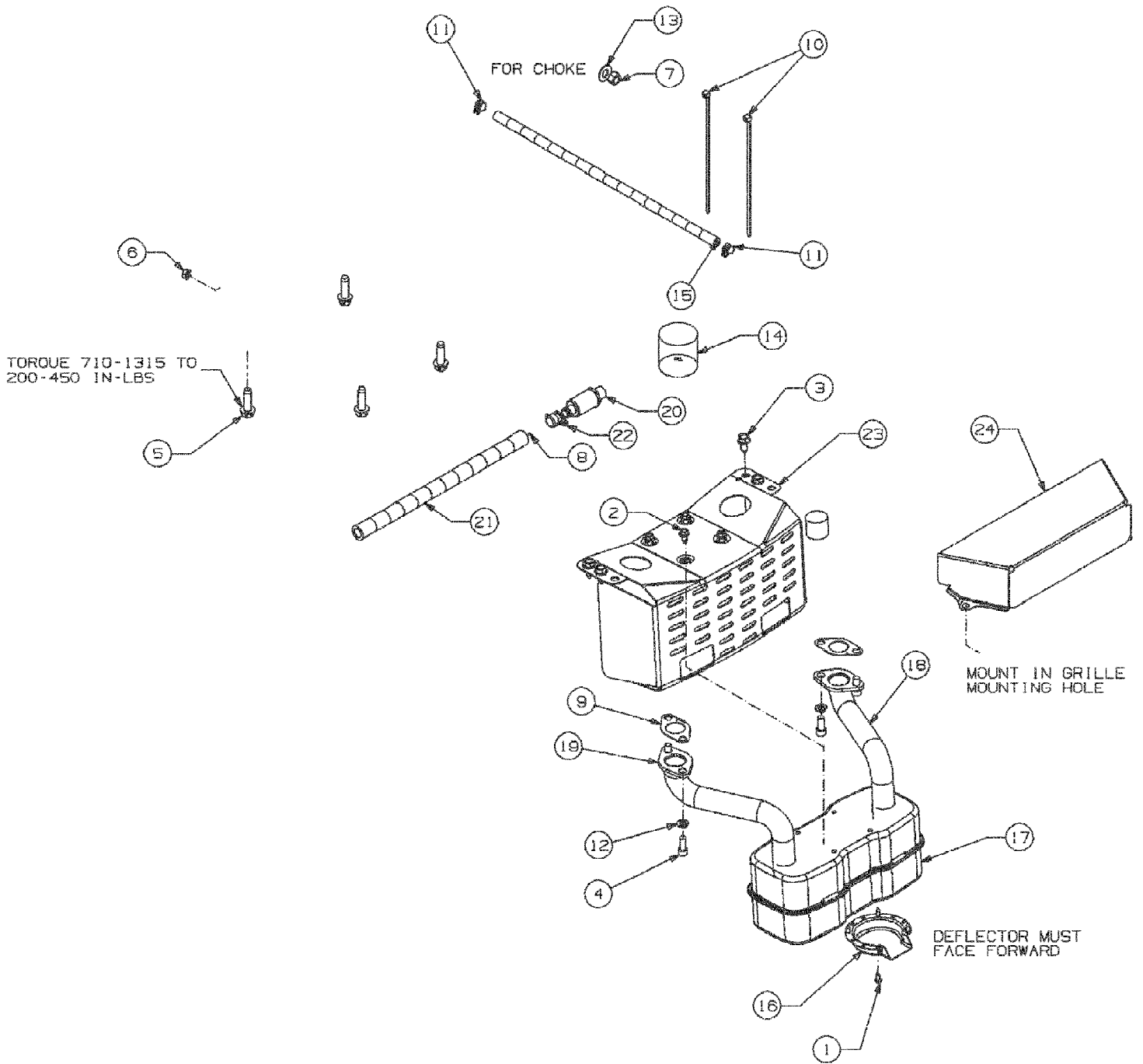
Page 23 of 69

Ref #	Part Number	Qty	S/P/F	Description
54	749-04013	1		TUBE:SQ:30MM X 30MM X 216MM LG
55	750-0802	1		SPCR:.640 ID X .76 OD X 2.63
56	750-1329	1		SPCR:.275 ID X .50 OD X 2.28
57	754-0125A	1	S	BELT:V TYP:1/2 X 105 LG POLY
58	756-0236	1		V-IDLER 6.06 OD-NH#VH-39-AB
59	756-1052	1		PUL:TRANS:4.50 DIA.
60	756-3054	1		FLAT IDLER WITH FLANGES 2.75
61	783-0786	1		BRKT:ACTR:SW EURO
62	783-1371	1		BRKT:MT:HYDRO
63	783-1372	1		BRKT:HITCH:500

13B4516N190 RD-1750 (2003)
Electrical

Page 25 of 69

Ref #	Part Number	Qty	S/P/F	Description
15	736-0222	2	S	EXTERN L-WASH 1/4
14	725-2013	1		SW:INTLK:NO/NO SNAP MT
13	725-1758	1		IND:MONITOR:W/AMMETER
12	725-1745	1	S	KEY:DELTA PLASTIC
11	725-1744	1	S	KEY:SW:DELTA
10	725-1741	1	S	SW:KEY:4 POS DELTA
9	725-1657A	1	S	SW:INTLK:NO/NC SNAP MT
8	725-1649	2	S	SOC:LAM:NYLON 1/4 TURN
7	725-1426	1	S	SOL:12V:100 AMP
6	725-0963	2	S	MINIATURE LAMP 12V SOCKET TYPE
5	725-04038	1	S	SW:DELTA:NO/NC/NC SNAP MT
4	712-0271	2	/P	NUT:HEX:1/4-20:SEMS
3	710-0599	2	/P	SCR:TT:1/4-20:0.500:HXINDWSH
2	629-0469B	1	S	HARN ASM:UNIVERSAL:HEADLIGHT
1	629-04021	1		HARN ASM:500:MANPTO W/MON

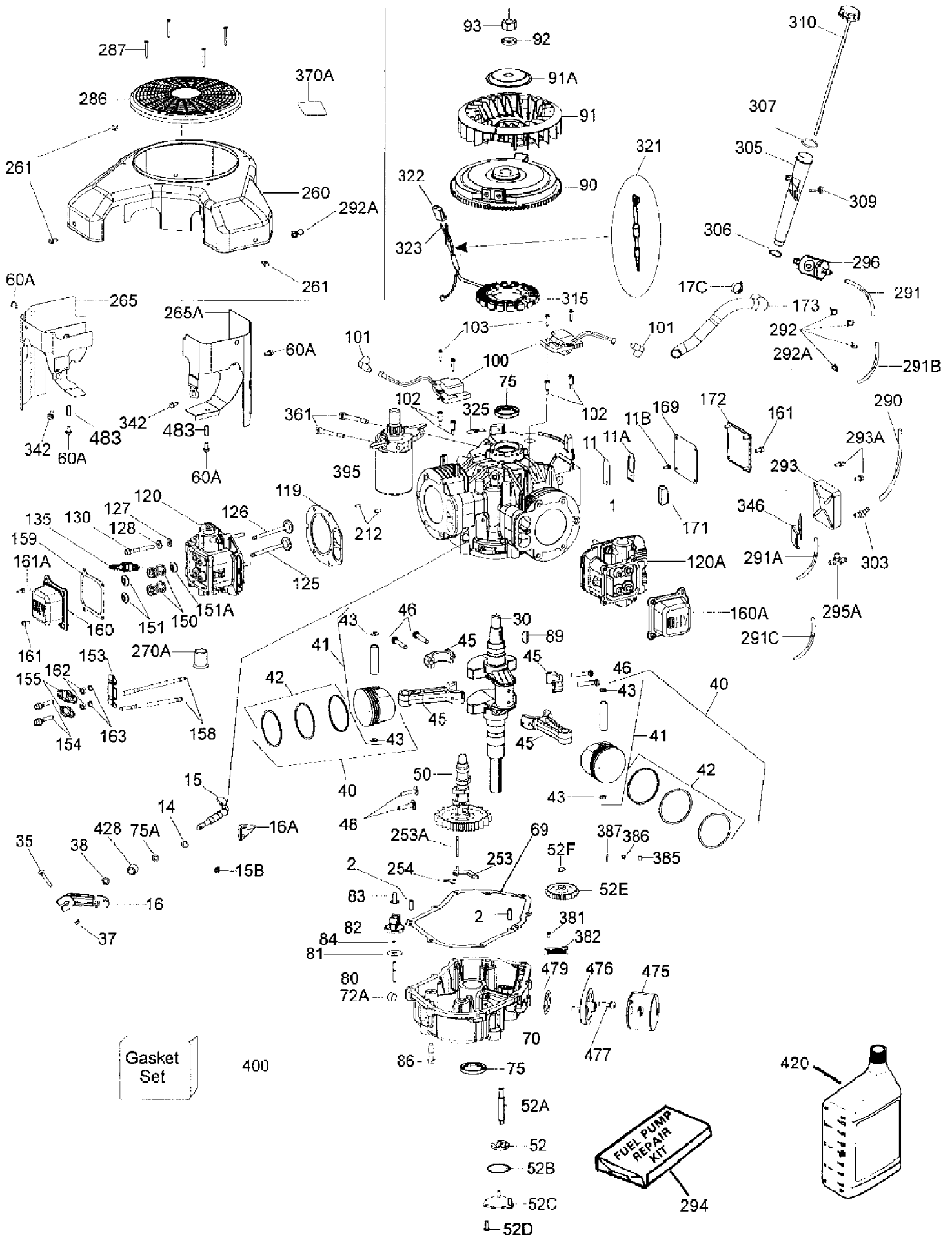


13B4516N190 RD-1750 (2003)
Engine Accessories

Page 27 of 69

Ref #	Part Number	Qty	S/P/F	Description
24	783-0625C	1	/P	SHLD:HEAT:SINGLE
23	783-0615B	1	S	SHLD:HEAT:MFLR
22	751-3142	1		CAP:DRAIN:OIL
21	751-3141	12	S	HOSE:EXTEN:OIL
20	751-3140	1	S	DRAIN:OIL
19	751-0814	1	S	PIPE:EXH:RH TECUMSEH TWIN
18	751-0813	1	S	PIPE:EXH:LH TECUMSEH TWIN
17	751-0616	1	S	MFLR:DUAL INLET
16	751-0564	1	S	DFL:MFLR:
15	751-0535	14		HOSE:FUEL LINE
14	737-0169	80		OIL:10W30
13	736-0300	1	S	WASH:FLAT:.406 X .875 X .059
12	736-0119	4	S	WASH:LOCK:5/16:REGULAR DUTY
11	726-0205	2	/P	CLAMP:HOSE:.490 DIA.
10	725-0157	2	/P	CBL:TIE:3/16 X .05 X 7.4
9	721-0460	2		GSKT:EXH:INTEK TWIN
8	721-0331	.02		SEALANT:PIPE:PST 567 LOCTITE
7	712-3017	1	S	NUT:HEX:3/8-16:GR8
6	712-0271	1	/P	NUT:HEX:1/4-20:SEMS
5	710-1315	4	/P	SCR:TT:3/8-16:1.250:HXINDWSH:S
4	710-1314A	4	/P	SCR:SOC HD:5/16-18:.750
3	710-0726	4	/P	SCR:AB:5/16-12:0.750:HXINDWSH
2	710-0599	4	/P	SCR:TT:1/4-20:0.500:HXINDWSH
1	710-0227	4	/P	SCR:AB:#8-18:0.500:HXINDWSH

13B4516N190 RD-1750 (2003)
Engine List 1 TVT691-600405B



13B4516N190 RD-1750 (2003)
Engine List 1 TVT691-600405B

Page 29 of 69

Ref #	Part Number	Qty	S/P/F	Description
1		1		UNKNOWN
2	TC-27652	1		Dowel Pin
11	TC-36302	1		Check Valve
11A	TC-36303	1		Breather Plate
11B	TC-650990	1		Screw, 10-32 x 7/16"
14	TC-37363	1		Washer
15	TC-37364	1		Governor Rod
15B	TC-650738	1		Screw, 1/4-20 x 5/8"
16	TC-37413	1		Governor Lever
16A	TC-37414	1		Governor Spring Bracket
17C	TC-37429	1		Breather Tube Clamp
30	TC-37371	1	S	Crankshaft
35	TC-651069	1		Screw, Carriage 1/4-20 x 1-1/2"
37	TC-650456	1		Lock Nut, 1/4-20
38	TC-37365	1		Retaining Ring
40	TC-40040	1		Piston, Pin & Ring Set (Std.)
40	TC-40041	1		Piston, Pin & Ring Set (.010" OS)
41	~N/A	1		Piston & Pin Ass'y. (Std.), (.010" OS) (Incl. 43)
42	TC-40013	1		Ring Set (Std.)
42	TC-40014	1		Ring Set (.010"OS)
43	TC-27888	1		Piston Pin Retaining Ring
45	TC-37372	1		Connecting Rod Ass'y (Incl. 46)
46	TC-651063	1		Connecting Rod Bolt
48	TC-37373	1		Valve Lifter
50	TC-37374	1	S	Camshaft (MCR)
52	TC-37305	1		Oil Pump Ass'y.
52A	TC-37382	1		Oil Pump Shaft
52B	TC-36333	1		"O" Ring
52C	TC-36334	1		Oil Pump Cover (Incl. 52B)
52D	TC-650888	1		Screw, T-30 1/4-20 x 43/64"
52E	TC-37383	1		Oil Pump Gear
52F	TC-37384	1		Oil Pump Gear Retaining Ring
60A	TC-65105	1		Screw, 1/4-20 x 1/2"
63		1		UNKNOWN
69	TC-37377	1	/P	Mounting Flange Gasket
70	TC-37378	1		Mounting Flange (Incl. 72, 72A, 75, 80, 381-387)
72A	TC-28483	1		Oil Drain Plug 3/8-18
75	TC-36301	1	/P	Oil Seal (1 in Ref 1, 1 in Ref 70)
75A	TC-37369	1		Oil Seal (Governor Shaft)
80	TC-37379	1		Governor Shaft
81	TC-37381	1		Washer (Governor Shaft)
82	TC-37380	1		Governor Gear Ass'y.
84	TC-29193	1		Retaining Ring
86	TC-651064	1		Screw, 5/16-18 x 1-15/32"
89	TC-650592	1		Flywheel Key
90	TC-611243	1		Flywheel (Incl. 91 & 91A)
91	TC-611241	1	S	Flywheel Fan
91A	TC-611242	1		Flywheel Retainer
92	TC-650666	1		Flywheel Lock Washer
93	TC-650594	1		

13B4516N190 RD-1750 (2003)
Engine List 1 TVT691-600405B

Page 30 of 69

Ref #	Part Number	Qty	S/P/F	Description
100	TC-37395	1	/P	Solid State Ignition (Incl. 101)
101	TC-610118	1		Spark Plug Cover
102	TC-651024	1		Solid State Mounting Stud
103	TC-651007	1		Screw, T-15 10-24 x 15/16"
119	TC-37388	1		Cylinder Head Gasket Kit (P)
120	TC-37387	1		Cylinder Head, Opp. Breather Side
120A	TC-37389	1		Cylinder Head, Breather Side
125	TC-36934	1		Exhaust Valve (Std.)
126	TC-36935	1		Intake Valve (Std)
127	TC-650691	1		Flat Washer
128	TC-650690	1		Belleville Washer
130	TC-650697A	1		Screw, 5/16-18 x 2-1/2"(Head Mount)
135	TC-34645	1	/P	Spark Plug (RN4C)
150	TC-33507	1		Valve Spring
151	TC-33508	1		Valve Keeper Retainer & Cap Set
151A	~N/A	1		Valve Seal
153	TC-37390	1		Push Rod Guide
154	TC-650945	1		Rocker Arm Stud
155	TC-35950	1		Rocker Arm
158	TC-37391	1	/P	Push Rod
159	TC-35952	1	/P	Rocker Arm Cover Gasket Kit (P)
160	TC-35953A	1		Rocker Arm Cover, Opp. Breather Side
160A	TC-37392	1		Rocker Arm Cover, Breather Side
161	TC-30063	1		Screw, T-30 1/4-20 x 1/2"
161A	TC-651034	1		Stud, Valve Cover Mounting
162	TC-650947	1		Rocker Arm Jam Nut, 5/16-24
163	TC-650890	1		Internal Lock Washer, 5/16"
169	TC-37367	1		Valve Cover Gasket Kit (P)
171	TC-37366	1		Breather Element
172	TC-37368	1		Valve Cover
173	TC-37393	1	S	Breather Tube
212	TC-37370	1		Bushing
253	TC-37376	1		Compression Release Weight
253A	TC-37424	1		Compression Release Pin
254	TC-37375	1		Compression Release Spring
260	TC-37398	1		Blower Housing (Red)
261	TC-650737	1		Screw, 1/4-20 x 1/2"
265	TC-37627	1		Cylinder Head Cover, Opp. Breather
265A	TC-37628	1		Cylinder Head Cover, Breather Side
270A	TC-35829A	1		Exhaust Port Liner
286	TC-37394	1		Flywheel Screen
287	TC-651066	1		Screw, T-20 8-18 x 1-15/32"
290	TC-30962	1		Fuel Line (16.75")
291	~N/A	1		Fuel Line 291B N/A, 291C N/A
291A	TC-29774	1		Fuel Line (8-1/4")
291B		1		UNKNOWN
291C		1		UNKNOWN
292	TC-26460	1	/P	Fuel Line Clamp
292A	TC-37399	1	S	Fuel Line Retainer
293	TC-35787	1	S	Pulse Pump
293A	TC-650931	1		Screw, 8-32 x 1-1/2"
294	TC-35791	1		Pulse Pump Repair Kit
295A	TC-37422	1		

Ref #	Part Number	Qty	S/P/F	Description
296	TC-34279B	1	/P	Fuel Filter (Incl. 292)
303	TC-32958	1		Pulse Pump/Fuel Fitting
305	TC-36349	1		Oil Fill Tube
306	TC-37401	1		O-Ring (Oil Fill, Bottom) Kit (P)
307	TC-35499	1	/P	O-Ring (Oil Fill, Top)
309	TC-650974	1		Screw, 1/4-20 x 57/64"
310	TC-37421	1		Dipstick
315	TC-611181	1		Alternator Coil (3/5 Split) (Incl. 321-323)
321	TC-611161	1	/P	Diode
322	TC-611142	1		Connector Body
323	TC-611118	1		Terminal
325	TC-36342	1		Wire Clip
342	TC-651031	1		Screw, 1/4-20 x 9/16"(Ref. 240 & 265)
346	TC-36413	1		Fuel Pump Bracket
361	TC-651065	1		Screw, 5/16-18 x 2-3/8"
370A	TC-35274	1		Lubrication Decal
381	TC-650767	1		Screw, 8-32 x 27/64"
382	TC-36931	1		Oil Strainer Screen
385	TC-570673	1		Ball
386	TC-36329	1		Pressure Release Spring
387	TC-37652	1		Cotter Pin
395	TC-37284	1	/P	Electric Starter Motor (12 Volt)
400	TC-37423	1		Gasket Set (Incl. Items Marked PK in Notes)
420		1		UNKNOWN
428	TC-37362	1		Spacer
475	TC-36563	1	/P	Oil Filter
476	TC-36929	1	/P	Oil Filter Adaptor (Incl. 479)
477	TC-650378	1		Screw, T-30 5/16-18 x 1 3/32"
479	TC-36930	1		Oil Filter Adaptor Gasket Kit (P)
483	TC-37629	1		Cylinder Wrap Spacer

Ref #	Part Number	Qty	S/P/F	Description
1		1		UNKNOWN
2	TC-27652	1		Dowel Pin
11	TC-36302	1		Check Valve
11A	TC-36303	1		Breather Plate
11B	TC-650902	1		Screw, 10-32 x 7/16"
14	TC-37363	1		Washer
15	TC-37364	1		Governor Rod
15B	TC-650738	1		Screw, 1/4-20 x 5/8"
16	TC-37413	1		Governor Lever
16A	TC-37414	1		Governor Spring Bracket
17C	TC-37429	1		Breather Tube Clamp
30	TC-37371	1	S	Crankshaft
35	TC-651069	1		Screw, Carriage 1/4-20 x 1-1/2"
37	TC-650456	1		Lock Nut, 1/4-20
38	TC-37365	1		Retaining Ring
40	TC-40040	1		Piston, Pin & Ring Set (Std.)
40	TC-40041	1		Piston, Pin & Ring Set (.010"OS)
41	~N/A	1		Piston & Pin Ass'y. (Std.), (.010"OS) (Incl. 43)
42	TC-40013	1		Ring Set (Std.)
42	TC-40014	1		Ring Set (.010"OS)
43	TC-27888	1		Piston Pin Retaining Ring
45	TC-37372	1		Connecting Rod Ass'y. (Incl. 46)
46	TC-651063	1		Connecting Rod Bolt
48	TC-37373	1		Valve Lifter
50	TC-37374	1	S	Camshaft (MCR)
52	TC-37305	1		Oil Pump Ass'y.
52A	TC-37382	1		Oil Pump Shaft
52B	TC-36333	1		"O" Ring
52C	TC-36334	1		Oil Pump Cover (Incl. 52B)
52D	TC-650888	1		Screw, T-30 1/4-20 x 43/64"
52E	TC-37383	1		Oil Pump Gear
52F	TC-37384	1		Oil Pump Gear Retaining Ring
60A	TC-650773	1		Screw, 1/4-20 x 1/2"
69	TC-37377	1	/P	Mounting Flange Gasket
70	TC-37378	1		Mounting Flange (Incl. 72, 72A, 75, 80, 381-387)
72A	~N/A	1		Oil Drain Plug 3/8-18
75	TC-36301	1	/P	Oil Seal (1 in Ref 1, 1 in Ref 70)
75A	TC-37369	1		Oil Seal (Governor Shaft)
80	TC-37379	1		Governor Shaft
81	TC-37381	1		Washer (Governor Shaft)
82	TC-37380	1		Governor Gear Ass'y.
83	TC-35322	1		Governor Spool
84	TC-29193	1		Retaining Ring
86	TC-651064	1		Screw, 5/16-18 x 1-15/32"
90	TC-611243	1		Flywheel (Incl. 91 & 91A)
91	TC-611241	1	S	Flywheel Fan
91A	TC-611242	1		Flywheel Retainer
92	TC-651082	1		Belleville Washer
93	TC-650594	1		Flywheel Nut
100	TC-37395	1	/P	Solid State Ignition (Incl. 101)
101	TC-610118	1		Spark Plug Cover

13B4516N190 RD-1750 (2003)
Engine List 1 TVT691-600810B

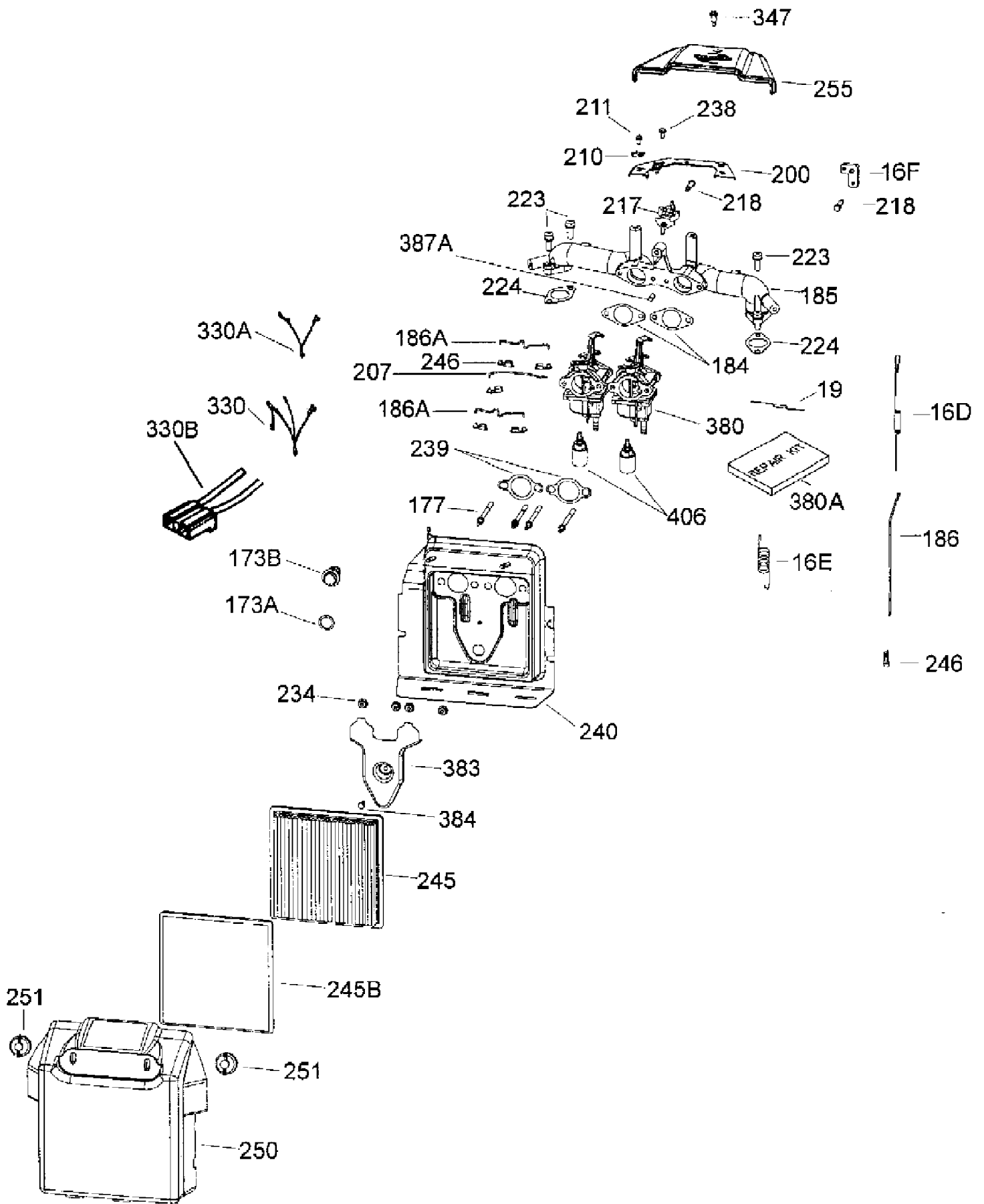
Page 34 of 69

Ref #	Part Number	Qty	S/P/F	Description
102	TC-651024	1		Solid State Mounting Stud
103	TC-651007	1		Screw, T-15 10-24 x 15/16"
119	TC-37388	1		Cylinder Head Gasket Kit (P)
120	TC-37387	1		Cylinder Head, Opp. Breather Side
120A	TC-37389	1		Cylinder Head, Breather Side
125	TC-36934	1		Exhaust Valve (Std.)
126	TC-36935	1		Intake Valve (Std)
127	TC-650691	1		Flat Washer
128	TC-650690	1		Belleville Washer
130	TC-650697A	1		Screw, 5/16-18 x 2-1/2" (Head Mount)
135	TC-34645	1	/P	Spark Plug (RN4C)
150	TC-33507	1		Valve Spring
151	TC-33508	1		Valve Keeper Retainer & Cap Set
151A	TC-35862	1		Valve Seal
153	TC-37390	1		Push Rod Guide
154	TC-650945	1		Rocker Arm Stud
155	TC-35950	1		Rocker Arm
158	TC-37391	1	/P	Push Rod
159	TC-35952	1	/P	Rocker Arm Cover Gasket Kit (P)
160	TC-35953A	1		Rocker Arm Cover, Opp. Breather Side
160A	TC-37392	1		Rocker Arm Cover, Breather Side
161	TC-30063	1		Screw, T-30 1/4-20 x 1/2"
161A	TC-651034	1		Stud, Valve Cover Mounting
162	TC-650947	1		Rocker Arm Jam Nut, 5/16-24
163	TC-650890	1		Internal Lock Washer, 5/16"
169	TC-37367	1		Valve Cover Gasket Kit (P)
171	TC-37366	1		Breather Element
172	TC-37368	1		Valve Cover
173	TC-37393	1	S	Breather Tube
212	TC-37370	1		Bushing
253	TC-37376	1		Compression Release Weight
253A	TC-37424	1		Compression Release Pin
254	TC-37375	1		Compression Release Spring
260	TC-37398	1		Blower Housing (Red)
261	TC-650737	1		Screw, 1/4-20 x 1/2"
265A	TC-37628	1		Cylinder Head Cover, Breather Side
270A	TC-35829A	1		Exhaust Port Liner
285		1		UNKNOWN
286	TC-37394	1		Flywheel Screen
287	TC-651066	1		Screw, T-20 8-18 x 1-15/32"
290	TC-30962	1		Fuel Line (16.75")
291	~N/A	1		Fuel Line (1.56")
291A	~N/A	1		Fuel Line (8-1/4")
291B		1		UNKNOWN
291C	TC-34357	1		Fuel Line (6.75")
292	TC-26460	1	/P	Fuel Line Clamp
292A	TC-37399	1	S	Fuel Line Retainer
293	TC-35787	1	S	Pulse Pump
293A	TC-650931	1		Screw, 8-32 x 1-1/2"
294		1		UNKNOWN
295A	TC-37422	1	S	Fuel Fitting
296	TC-37768	1	/P	Fuel Filter (Incl. 292)
303	TC-32958	1		Fuel Fitting

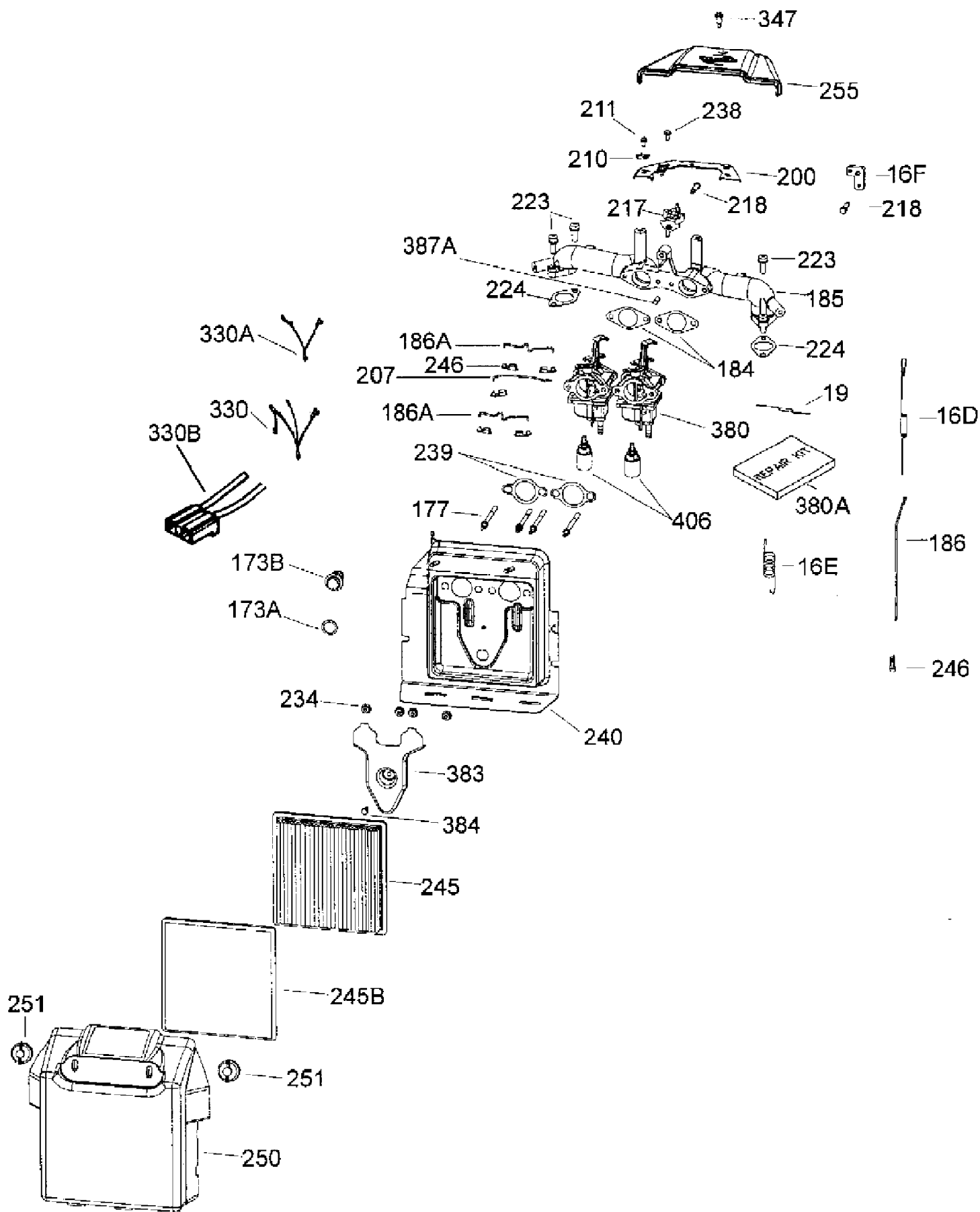
13B4516N190 RD-1750 (2003)
Engine List 1 TVT691-600810B

Page 35 of 69

Ref #	Part Number	Qty	S/P/F	Description
305	TC-36349	1		Oil Fill Tube
306	TC-37401	1		O-Ring (Oil Fill, Bottom) Kit (P)
307	TC-35499	1	/P	O-Ring (Oil Fill, Top)
309	TC-650974	1		Screw, 1/4-20 x 5/7/64"
310	TC-37421	1		Dipstick
315	TC-611280	1	/P	Alternator Coil (3/5 Split) (Incl. 321-323)
321	TC-611161	1	/P	Diode
322	TC-611281	1		Connector Body
323	TC-611282	1		Terminal
325	TC-36342	1		Wire Clip
342	TC-651031	1		Screw, 1/4-20 x 9/16"(Ref. 240 & 265)
346	TC-36413	1		Fuel Pump Bracket
361	TC-651065	1		Screw, 5/16-18 x 2-3/8"
370A	TC-35274	1		Lubrication Decal
381	TC-650767	1		Screw, 8-32 x 27/64"
382	TC-36931	1		Oil Strainer Screen
385	TC-570673	1		Ball
386	TC-36329	1		Pressure Release Spring
387	TC-37652	1		Cotter Pin
395	TC-37284	1	/P	Electric Starter Motor (12 Volt)
400	TC-37423	1		Gasket Set (Incl. Items Marked PK in Notes)
420		1		UNKNOWN
428	TC-37362	1		Spacer
475	TC-36563	1	/P	Oil Filter
476	TC-36929	1	/P	Oil Filter Adaptor (Incl. 479)
477	TC-650378	1		Screw, T-30 5/16-18 x 1 3/32"
479	TC-36930	1		Oil Filter Adaptor Gasket Kit (P)
483		1		UNKNOWN

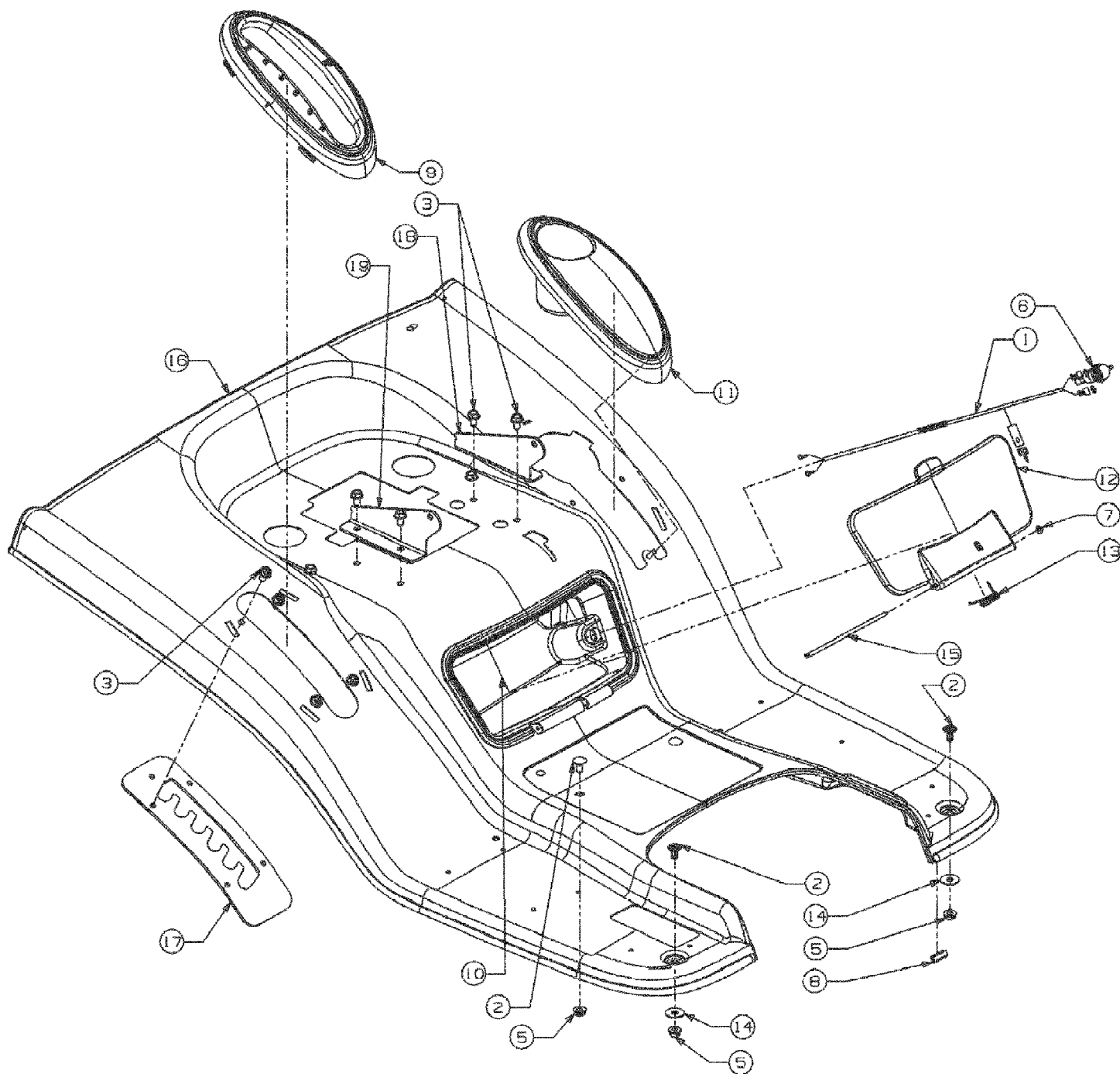


Ref #	Part Number	Qty	S/P/F	Description
16D	TC-37415	1		Governor Spring, Hi-speed
16E	TC-37417	1		Governor Idle Spring
16F	TC-37418	1		Bell Crank Lever
19	TC-37416	1		Throttle Spring
173A	TC-37410	1		Breather Tube Grommet
173B	TC-37409	1		Breather Tube Fitting
177	TC-651067	1		Carburetor Mounting Stud
184	TC-36352	1	/P	Carburetor to Intake Pipe Gasket Kit (P)
185	TC-37396	1		Intake Pipe (Incl. 387A)
186	TC-37404	1		Governor Link
186A	TC-37405	1		Choke Link
200	TC-37400	1		Control Bracket
207	TC-37406	1		Throttle Link
210	TC-27793	1	/P	Conduit Clip
211	TC-28942	1	/P	Screw, 10-32 x 3/8"
217	TC-37419	1		Control Lever
218	TC-651070	1		Screw, 10-32 x 1-1/4"
223	TC-650971	1		Screw, T-30 5/16-18 x 7/8"
224	TC-33515A	1		Intake Pipe Gasket (Pipe to Head) Kit (P)
234	TC-650928	1		Lock Nut, 1/4-20
238	TC-650902	1		Screw, 10-32 x 7/16"
239	TC-36358	1	/P	Air Cleaner Gasket Kit (P)
240	TC-37691	1		Air Cleaner Body Ass'y. (Incl. 239)
245	TC-37360	1	/P	Air Cleaner Filter (Paper)
245B	TC-37361	1	/P	Air Cleaner Pre-Filter (Poly)
246	TC-37407	1	/P	Connector Bushing Link
250	TC-37690	1		Air Cleaner Cover
251	TC-37689	1	/P	Wing Nut, 1/4-20 x 1-19/32"
255	TC-37647	1		Control Cover
330	TC-37402	1		Fuel Solenoid Wire Assembly (R & G)
330A	TC-37403	1		Fuel Solenoid Wire Assembly (Black)
330B	TC-37642	1		Wire Harness
347	TC-650898A	1		Screw, 10-32 x 27/32"
380	TC-640221	1	/P	Carburetor (Incl. 184 & 428)
380A	TC-730649	1	/P	Carburetor Repair Kit
383	TC-37411	1		Carburetor Baffle
384	TC-30200	1	/P	Screw, 10-24 x 9/16" Self Tap
387A	TC-37397	1		Roll Pin
406	TC-611221	1	/P	Fuel Shut-Off Solenoid



Ref #	Part Number	Qty	S/P/F	Description
16D	TC-37415	1		Governor Spring, Hi-speed
16E	TC-37417	1		Governor Idle Spring
16F	TC-37418	1		Bell Crank Lever
19	TC-37416	1		Throttle Spring
173A	TC-37410	1		Breather Tube Grommet
173B	TC-37409	1		Breather Tube Fitting
177	TC-651067	1		Carburetor Mounting Stud
184	TC-36352	1	/P	Carburetor to Intake Pipe Gasket Kit (P)
185	TC-37396	1		Intake Pipe (Incl. 387A)
186	TC-37404	1		Governor Link
186A	TC-37405	1		Choke Link
200	TC-37400	1		Control Bracket
207	TC-37406	1		Throttle Link
210	TC-27793	1	/P	Conduit Clip
211	TC-28942	1	/P	Screw, 10-32 x 3/8"
217	TC-37419	1		Control Lever
218	TC-651070	1		Screw, 10-32 x 1-1/4"
223	TC-650971	1		Screw, T-30 5/16-18 x 7/8"
224	TC-33515A	1		Intake Pipe Gasket (Pipe to Head) Kit (P)
234	TC-650928	1		Lock Nut, 1/4-20
238	TC-650902	1		Screw, 10-32 x 7/16"
239	TC-36358	1	/P	Air Cleaner Gasket Kit (P)
240	TC-37691	1		Air Cleaner Body Ass'y. (Incl. 239)
245	TC-37360	1	/P	Air Cleaner Filter (Paper)
245B	TC-37361	1	/P	Air Cleaner Pre-Filter (Poly)
246	TC-37407	1	/P	Connector Bushing Link
250	TC-37690	1		Air Cleaner Cover
251	TC-37689	1	/P	Wing Nut, 1/4-20 x 1-19/32"
255	TC-37420	1		Control Cover
330	TC-37402	1		Fuel Solenoid Wire Assembly (R & G)
330A	TC-37403	1		Fuel Solenoid Wire Assembly (Black)
330B		1		UNKNOWN
347	TC-650898A	1		Screw, 10-32 x 27/32"
380	TC-640221	1	/P	Carburetor (Incl. 184 & 428)
380A	TC-730649	1	/P	Carburetor Repair Kit
383	TC-37411	1		Carburetor Baffle
384	TC-30200	1	/P	Screw, 10-24 x 9/16" Self Tap
387A	TC-37397	1		Roll Pin
406	TC-611221	1	/P	Fuel Shut-Off Solenoid

13B4516N190 RD-1750 (2003)
Fender

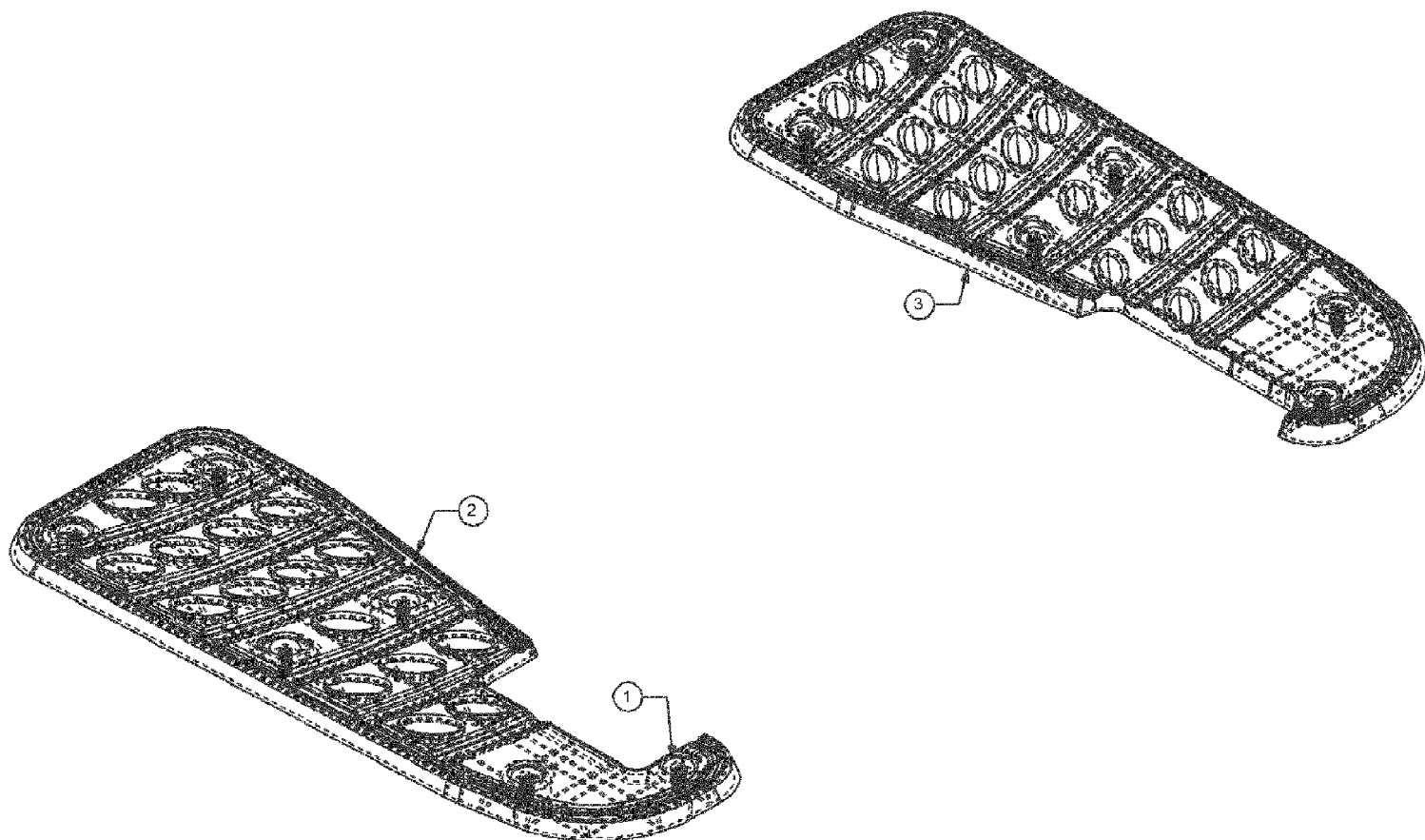


13B4516N190 RD-1750 (2003)
Fender

Page 41 of 69

Ref #	Part Number	Qty	S/P/F	Description
19	783-1500	1	S	BRKT:SEAT:MOUNT:RH
18	783-1496	1	S	BRKT:SEAT:MOUNT:LH
17	783-1404A	1		BRKT:LIFT:ADJ
16	783-1399	1	S	FDR:500 RD W/TOOLBOX
15	747-1307	1		ROD:PIVOT:TOOLBOX
14	736-3078	2	/P	FL-WASH .344 X 1.00 X .063 HDN
13	732-3150A	1		SPR:TORSN:.23 ID
12	731-2561	1		CVR:TOOLBOX
11	731-2549	1		CVR:W/CUP HOLDER
10	731-2547	1		BOX:TOOL
9	731-2546A	1		CVR:LIFT LEVER
8	731-0511	1.5	/P	STRIP:TRIM
7	726-0111	1	/P	PUSH CAP: .19 ROD
6	725-2015	1		ELEC:POWER OUTLET
5	712-3004A	4	/P	NUT:FLGLK:5/16-18:GR5:SD LK
?4	710-1394	1		SCR:M6:16:WN1451
3	710-0604A	10	/P	SCR:TT:5/16-18:0.625:HXINDWSH
2	710-0260A	4	/P	BOLT:CRG:5/16-18:.62:GR1
1	629-1102A	1	S	HARN ASM:500:POWER OUTLET

13B4516N190 RD-1750 (2003)
Foot Pads

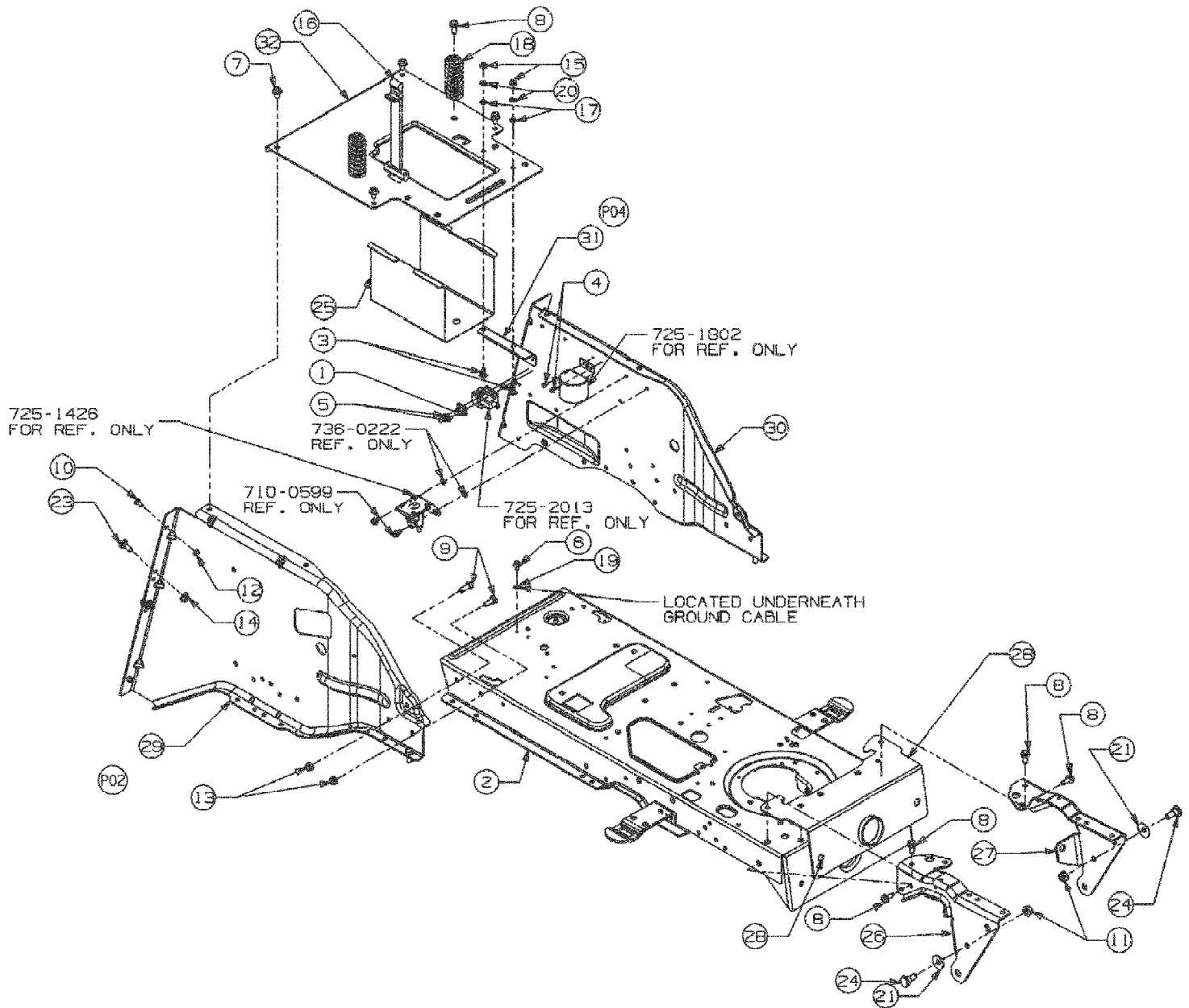


13B4516N190 RD-1750 (2003)
Foot Pads

Ref #	Part Number	Qty	S/P/F	Description
3	735-0693	1		PAD:FOOT:LH
2	735-0656	1		PAD:FOOT:RH
1	726-3046	12	/P	CLIP:RTCHT:.250 DIA

13B4516N190 RD-1750 (2003)
Frame

Page 44 of 69

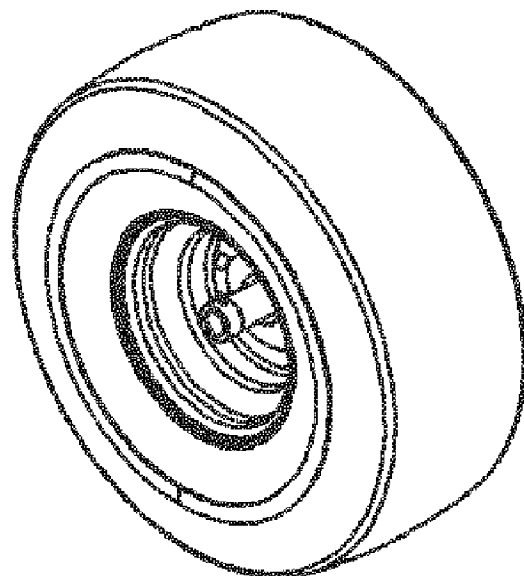
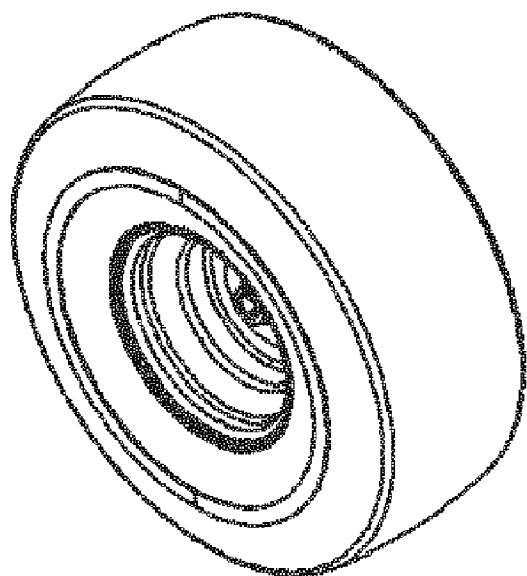


13B4516N190 RD-1750 (2003)
Frame

Page 45 of 69

Ref #	Part Number	Qty	S/P/F	Description
32	783-1410	1	S	PLT:TOP
31	783-1387A	1		BRKT:ROD:SHF
30	783-1370B	1		FRM:RR:LH HYDRO 500
29	783-1318A	1	S	FRM:RR:RH 500
28	783-0728	1		BRKT:PIVOT:BAR
27	783-0727A	1	S	BRKT:PIVOT:SUPT LH
26	783-0726B	1	S	BRKT:PIVOT:SUPT RH
25	783-0349	1		TRAY:BATT:400
24	738-0143	2	/P	SHLD SCR: 3/8-16
23	738-0140	4	S	SCR:SHLD:.435 X .178-5/16 X .56
?22	737-3007	1		GRES:ALVANIA EP 2
21	736-0331	2	/P	WASH:BELL:.390 X 1.13 X .062
20	736-0329	2	S	WASH:LOCK:1/4:REGULAR DUTY
19	736-0222	1	S	EXTERN L-WASH 1/4
18	732-04035	2		SPR:COMPRS:1.28 OD X 3.125
17	726-0233	2	/P	NUT:PUSH:.25 ID X .50 OD
16	723-0444	1		STRAP:BAT:400
15	712-3006	2	/P	NUT:HEX:1/4-20:GR5
14	712-3004A	4	/P	NUT:FLGLK:5/16-18:GR5:SD LK
13	712-0692	6		NUT:HEXLK:M8-1.25:NYLON DIN985
12	712-0691	3		NUT:HEXLK:M6-1:NYLON DIN 985
11	712-0431	2	S	NUT:FLGLK:3/8-16:GRF:TOP LK
10	710-1691	3	/P	SCR:M6-1:12.00 LG DIN 933
9	710-1681	6	/P	HHCS:M8-1.25:20.00:GR8.8:STD
8	710-1260A	6	/P	SCR:LD:5/16-18:0.750:HXINDWSH
7	710-0604A	4	/P	SCR:TT:5/16-18:0.625:HXINDWSH
6	710-0599	1	/P	SCR:TT:1/4-20:0.500:HXINDWSH
5	710-0224	2	S	SCR:AB:#10-16:0.500:HXINDWSH
4	710-0148	2	/P	SCR:F:#8-32:0.375:HXINDWSH
3	710-0134	2	/P	SCR:CRG:1/4-20:.62:GR2
2	683-0586	1	S	FRM ASM:LWR
1	17962	1		PLT:SW

13B4516N190 RD-1750 (2003)
Front Wheels

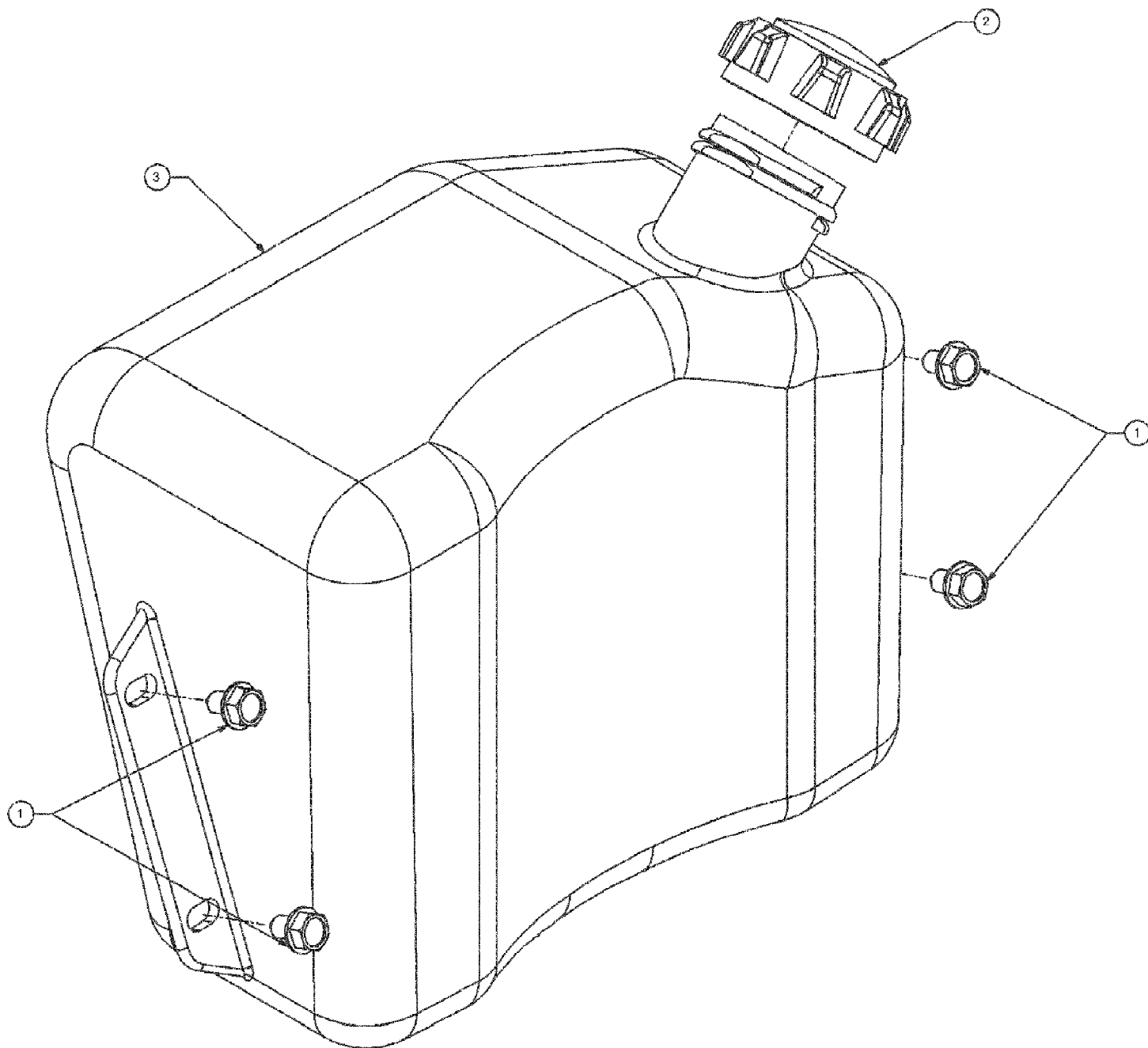


13B4516N190 RD-1750 (2003)
Front Wheels

Page 47 of 69

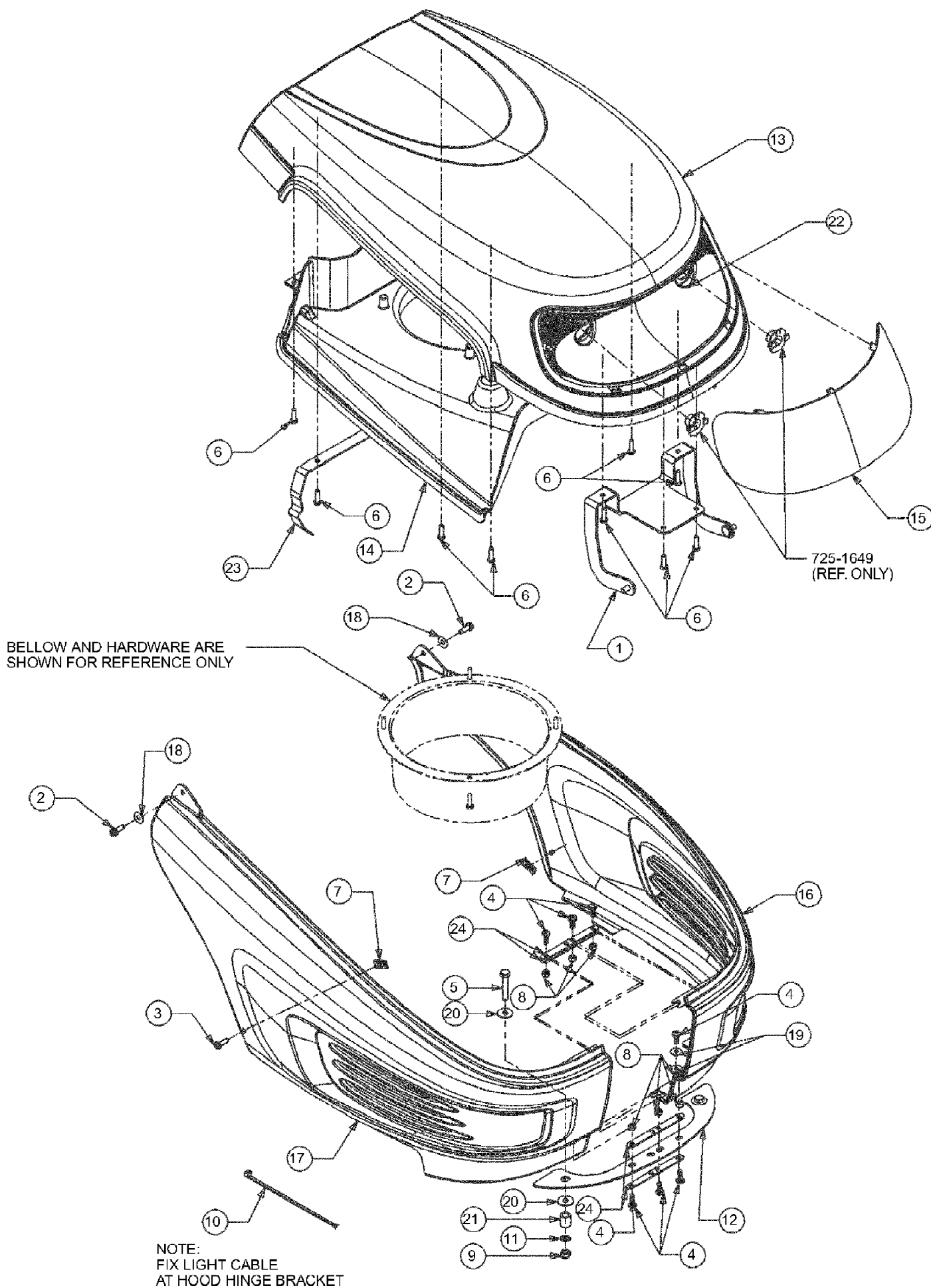
Ref #	Part Number	Qty	S/P/F	Description
1	634-0115	2		WHL:COMPL:15.0 X 6.0:W/BB
	634-0051-0662	2	S	RIM COMPL., GREY (NOT ILLUSTRATED)
	741-0569	4	S	BALL BEARING (NOT ILLUSTRATED)
	734-1731	2		TIRE (NOT ILLUSTRATED)
	734-0255	2	S	VALVE (NOT ILLUSTRATED)
6	737-0280	2	S	GREASE NIPPLE (NOT ILLUSTRATED)
7	731-2290A	2	/P	CAP HUB (NOT ILLUSTRATED)

13B4516N190 RD-1750 (2003)
Fuel Tank



13B4516N190 RD-1750 (2003)
Fuel Tank

Ref #	Part Number	Qty	S/P/F	Description
3	751-0818	1	S	TANK:FUEL:2 GAL
2	751-0603	1	S	CAP:FUEL
1	710-0604A	4	/P	SCR:TT:5/16-18:0.625:HXINDWSH

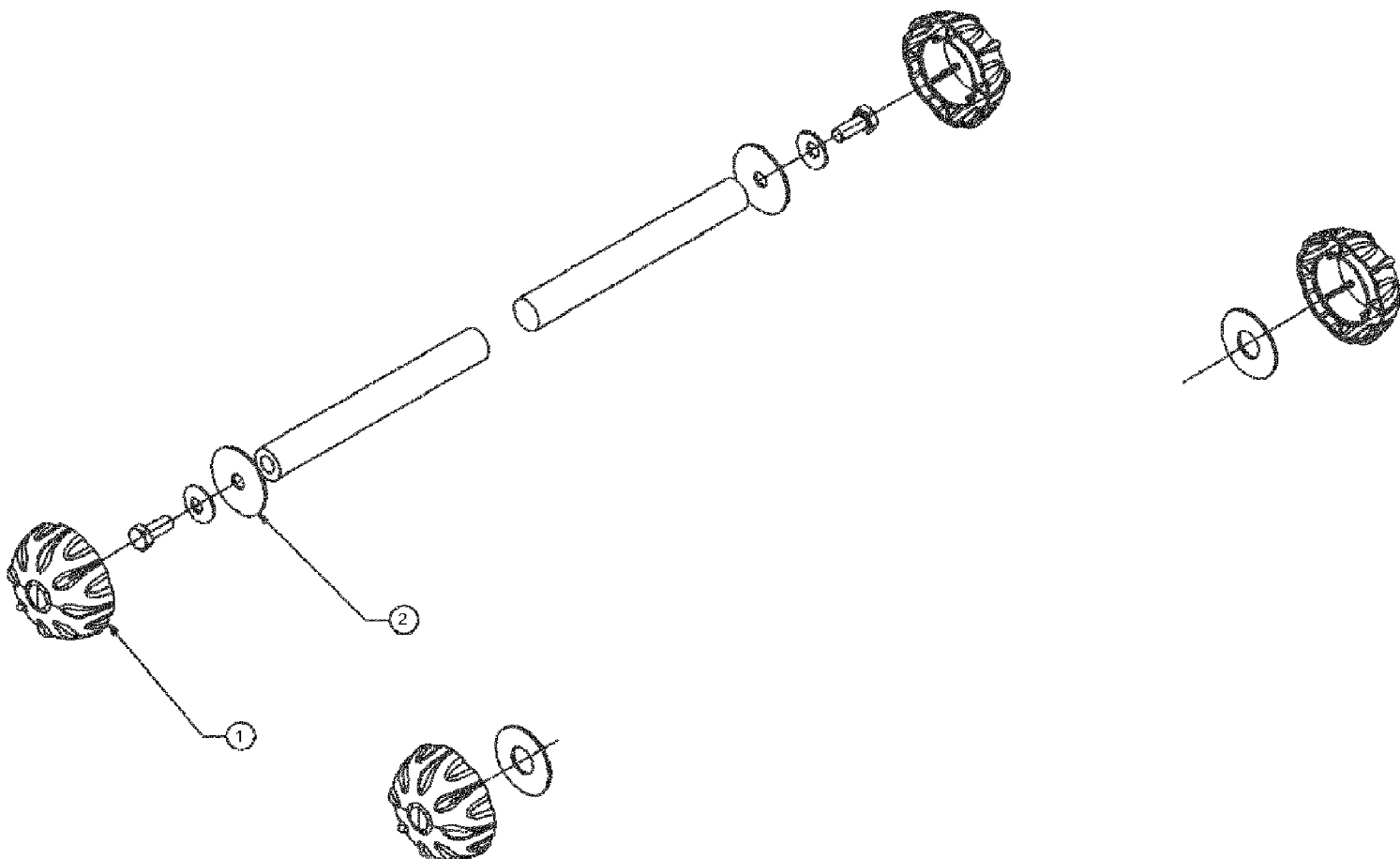


13B4516N190 RD-1750 (2003)
Hood Assembly

Page 51 of 69

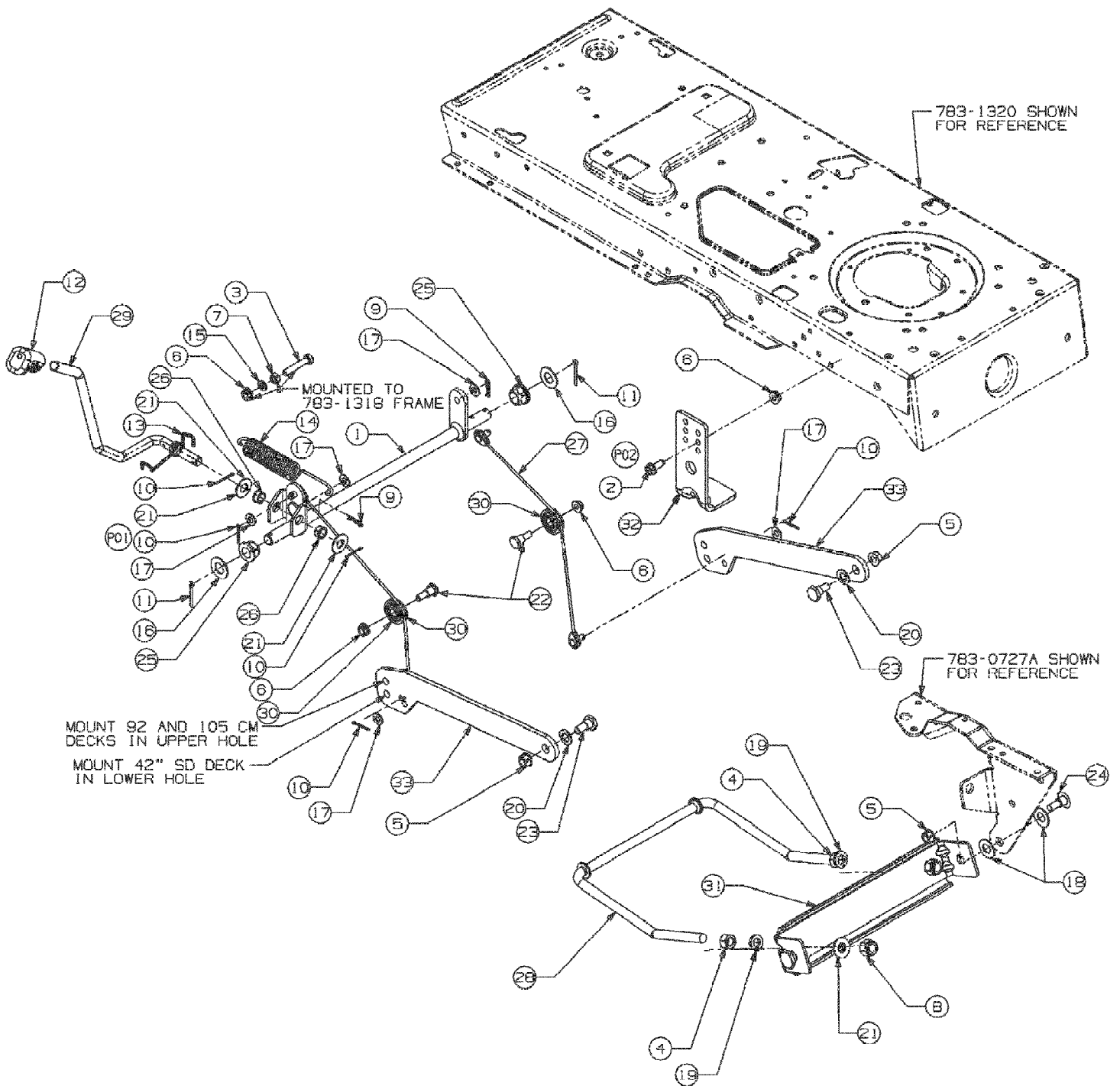
Ref #	Part Number	Qty	S/P/F	Description
	731-2234A	1	/P	BELLOW:INTK:2.6 LG Referenced
	746-1085A	1	S	CONT:CHOKE:37.5 LG Not Shown
	746-1086	1	S	CBL:THROT:39.0 LG Not Shown
24	783-1000A	4	/P	BRKT:SUPT:GRILLE
23	783-0980	1		BRKT:STAB:6 STYLE
22	777X40219	1		RDR:LENS RFLCTR:NEW 6 STY
21	750-0807	2		SPCR:..385X.625X.700
20	736-0701	4		WASH:FLAT:8.4 IDX24 OD DIN9021
19	736-0685	2		WASH:FLAT:6.4 IDX18 OD DIN9021
18	736-0342	2		WASH:FL:.283X.75X.030
17	731-2328A	1	S	PNL:SD:RH 4/6 STY GRAY CUTOUT
16	731-2327A	1	S	PNL:SD:LH 4/6 STY GRAY CUTOUT
15	731-2286	1	S	LENS:6 STYLE
14	731-2284	1		PLEN:6 STYLE
13	731-2283	1	S	HOOD:6 STYLE
12	731-2272	1	/P	SHLD:HEAT
11	726-0201	2		NUT:SPD:..3125 ID
10	725-0157	1	/P	CBL:TIE:3/16 X .05 X 7.4
9	712-0692	2		NUT:HEXLK:M8-1.25:NYLON DIN985
8	712-0633	7		NUT:HEXLK:M6-1 DIN 980
7	712-0292	2	/P	NUT:TINN CLIP:1/4-20
6	710-1704	10		SCR:TORX:M6 X 20 WN 1452
5	710-1703	2		HHCS:M8-1.25:45.00 LG DIN 933
4	710-1389	7		SCR:M6-1:16.00 LG DIN 7985
3	710-0924	2	/P	SCR:MACH:1/4-20:0.750:PANPHI
2	710-0642	2	/P	SCR:TT:1/4-20:0.750:HXINDWSH
1	683-0305	1	S	BRKT ASM:HOOD 6-STYLE

13B4516N190 RD-1750 (2003)
Hub Caps



13B4516N190 RD-1750 (2003)
Hub Caps

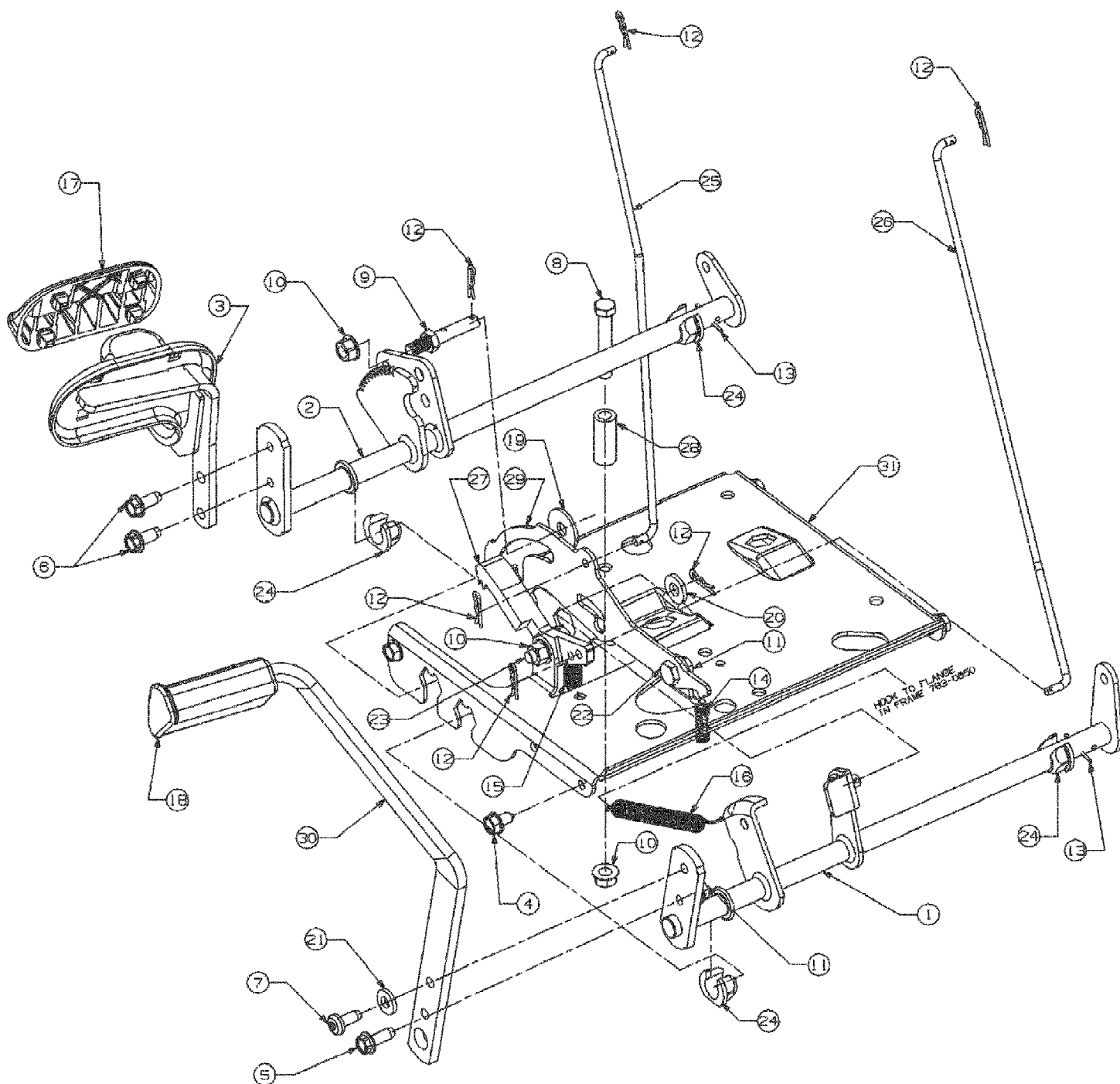
Ref #	Part Number	Qty	S/P/F	Description
2	736-0430	2	/P	WASH:FLAT:.350 X 1.59 X .062
1	731-2290A	4	/P	CAP:HUB



13B4516N190 RD-1750 (2003)
Lift Assembly

Page 55 of 69

Ref #	Part Number	Qty	S/P/F	Description
33	783-1328	2		ARM:LIFT
32	783-0891B	1		BRKT:DECK:UP STOP
31	783-0720A	1	S	BRKT:ADJ:FRT DECK ROD
30	756-1154	2		PUL:RLR
29	747-1280	1		LIFT:ARM
28	747-1130B	1	/P	ROD:DECK:FRT ADJ .5" DIA
27	746-1139	2		CBL:LIFT:14.06 LG
26	741-0715	2	S	BRG:FLG:SNAP .500 ID
25	741-0225	2	S	BRG:HEX FLNG
24	738-0507B	2	S	SCR:SHLDER:.500 DIA X .434
23	738-0143	2	/P	SHLD SCR: 3/8-16
22	738-0138A	2	/P	SCR:HEX CAP:5/16-18 X .620 GR2
21	736-3084	4	/P	WASH:FLAT:.510 X 1.120 X .060
20	736-3068	2	/P	WASH:FLAT:1/2X.875X.060
19	736-0921	2	S	WASH:LOCK: 1/2 : REGULAR DUTY
18	736-0414	4	S	WASH:FLAT:.570X1.120X.062:TEFL
17	736-0275	5	S	WASH:FLAT:.344 X .688 X .065
16	736-0187	2	/P	WASH:FL .64 ID X 1.24 X .06
15	736-0119	1	S	WASH:LOCK:5/16:REGULAR DUTY
14	732-0971	1		SPR:EXTN:1.010 OD X 6.500 LG
13	732-04004	1		SPR:LIFT 500
12	720-0311	1		GRIP:HNDL:1/2
11	714-0162	2	/P	PIN:COT:5/32:1.25
10	714-0111	5	S	PIN:COT:3/32:1.0
9	714-0104	2	S	PIN:COT:.072 DIA. X 1.13 LG
8	712-3083	2	/P	NUT:HXLK:1/2-13:GR8:NYLON
7	712-3010	1	S	NUT:HEX:5/16-18:GR5
6	712-3004A	4	/P	NUT:FLGLK:5/16-18:GR5:SD LK
5	712-0431	4	S	NUT:FLGLK:3/8-16:GRF:TOP LK
4	712-0206	2	S	NUT:HEX:1/2-13:GR5
3	710-3180	1	/P	HHCS:5/16-18:1.75:GR5:STD
2	710-0650	1	/P	SCR:TT:5/16-18:0.875:HXINDWSH
1	683-0587	1	S	SHF ASM:LIFT

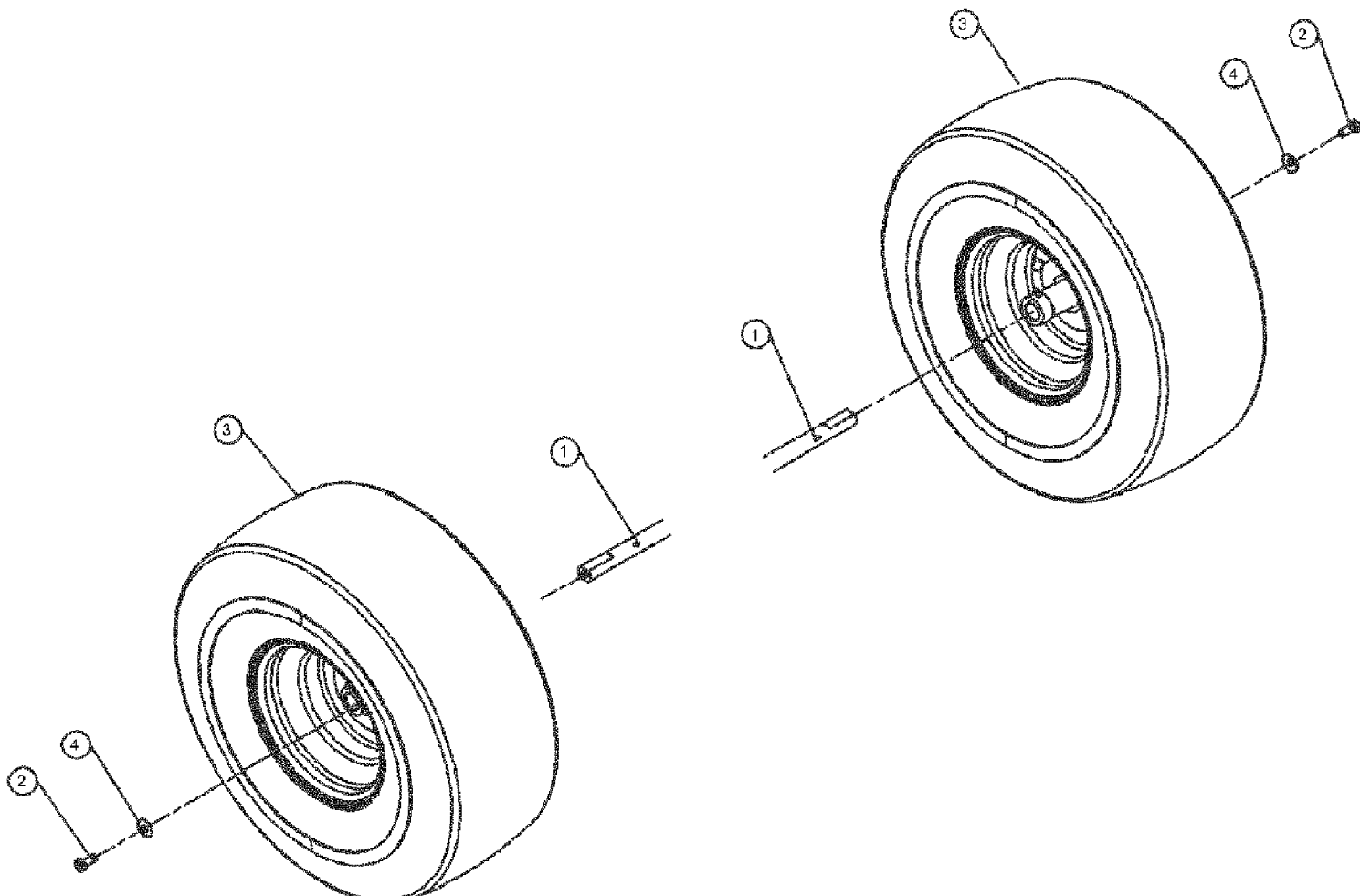


13B4516N190 RD-1750 (2003)
Pedal Assembly

Page 57 of 69

Ref #	Part Number	Qty	S/P/F	Description
31	783-1335B	1		BRKT:SUPT:STRG:500
30	783-0773A	1		PED:BRAKE
29	783-0663C	1	S	BRKT:LKOUT:HYDRO
28	748-0415B	1	/P	SPCR:.385 ID X .635 OD X 1.54
27	748-0413	1		LATCH:CRUS
26	747-04096	1		ROD:CONT:CRUISE:8&9 STL
25	747-04093	1		ROD:CONT:BRAKE LOCK
24	741-3065B	4	/P	BRG:HEX FLG:.628 ID:SPLIT
23	738-0507B	1	S	SCR:SHLDER:.500 DIA X .434
22	738-0155	1	S	SHLD SCR .437 DIA X .162
21	736-3008	1	S	WASH:FL:.344 X .750 X .120
20	736-3004	1	S	WASH:FL:.406IDX.875ODX.105
19	736-0133	1	S	WASH:FLAT:.411 X 1.25 X 1.00
18	735-3049	1	S	PAD:BRAKE:CONTROL
17	735-0662	1		PAD:CONT
16	732-0963	1		SPR:EXTN:.50 DIA X 6.37 LG
15	732-0955	1		SPR:EXTN:.50 OD X 1.41 LG
14	732-0335	1		SPR:COMPRS:.405 X 1.17
13	714-0111	2	S	PIN:COT:3/32:1.0
12	714-0104	6	S	PIN:COT:.072 DIA. X 1.13 LG
11	712-3004A	2	/P	NUT:FLGLK:5/16-18:GR5:SD LK
10	712-0431	3	S	NUT:FLGLK:3/8-16:GRF:TOP LK
9	711-1363	1		PIN:3/8-16:3/8 X 2.43 LG
8	710-3011	1	/P	HHCS:3/8-16:2.25:GR5:STD
7	710-1611B	1	/P	SCR:TT:5/16-18:0.750:PANTRXI
6	710-1260A	2	/P	SCR:LD:5/16-18:0.750:HXINDWSH
5	710-0650	1	/P	SCR:TT:5/16-18:0.875:HXINDWSH
4	710-0604A	4	/P	SCR:TT:5/16-18:0.625:HXINDWSH
3	683-0267C	1	/P	PED ASM:CONT:HYDRO
2	647-0062A	1		CONT ASM:HYDRO:500 LONG
1	647-0057A	1		CONT ASM:BRAKE:500

13B4516N190 RD-1750 (2003)
Rear Wheels

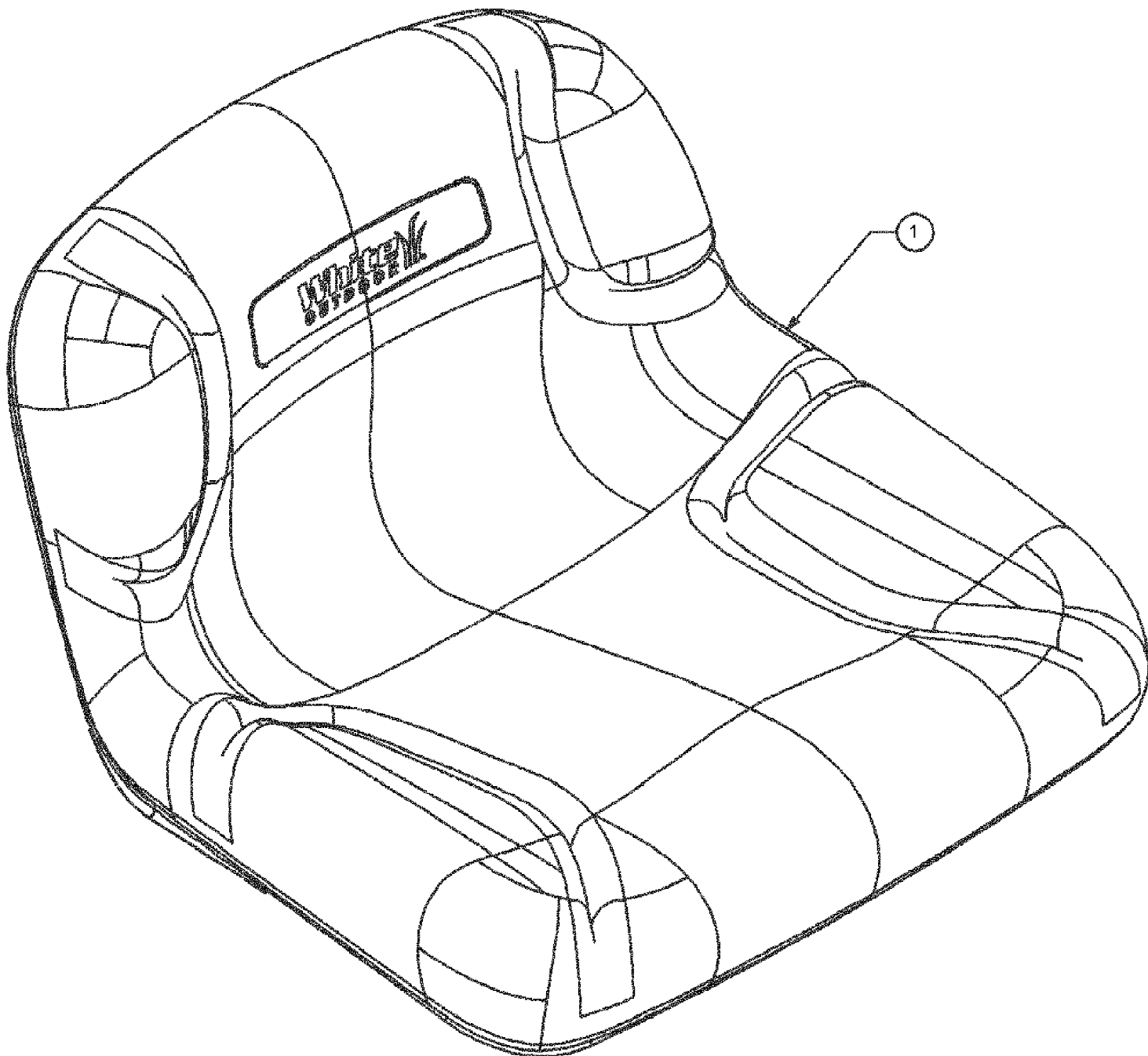


13B4516N190 RD-1750 (2003)
Rear Wheels

Page 59 of 69

Ref #	Part Number	Qty	S/P/F	Description
	736-0430	2	/P	FL. WASHER (NOT ILLUSTRATED)
	731-2290A	2	/P	HUB CAP (NOT ILLUSTRATED)
	734-0255	2	S	VALUE (NOT ILLUSTRATED)
	934-0070-0662	2	/P	RIM, GREY (NOT ILLUSTRATED)
	734-0448	2	/P	TIRE 18 X 9.5 (NOT ILLUSTRATED)
4	736-0242	2	/P	WASH:BELVL:.340 ID X.872 OD
3	734-0817	2	/P	ASM:WHL COMP. 18 X 9.5
2	710-0627	2	/P	HHCS:5/16-24:.750:GR5:LOCK
1	737-0288	.032		GRES:NEVER SEEZ

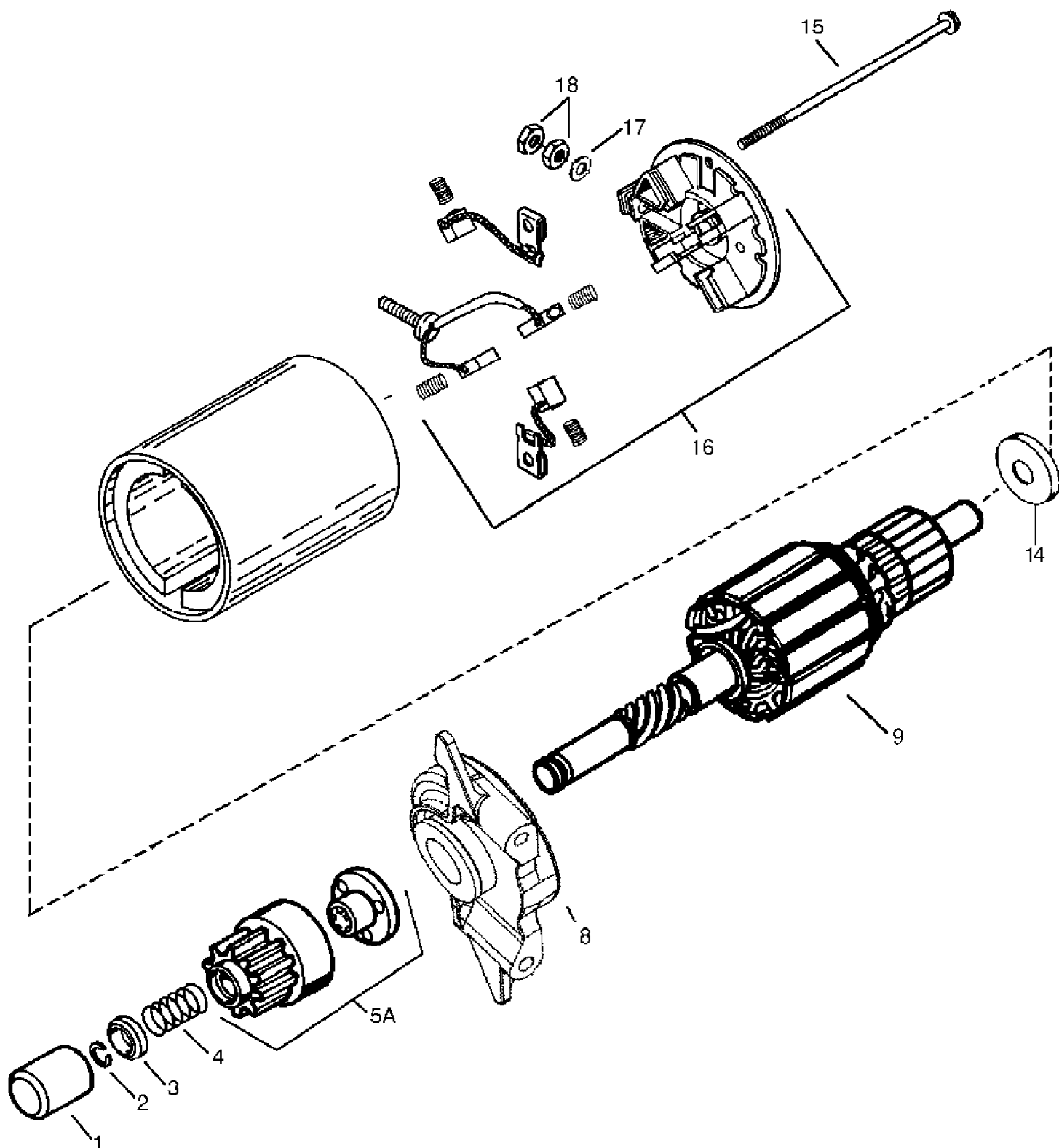
13B4516N190 RD-1750 (2003)
Seat



13B4516N190 RD-1750 (2003)
Seat

Ref #	Part Number	Qty	S/P/F	Description
1	757-04014	1	S	SEAT:2400:MED BACK WOP

13B4516N190 RD-1750 (2003)
Starter TVT691-600405B

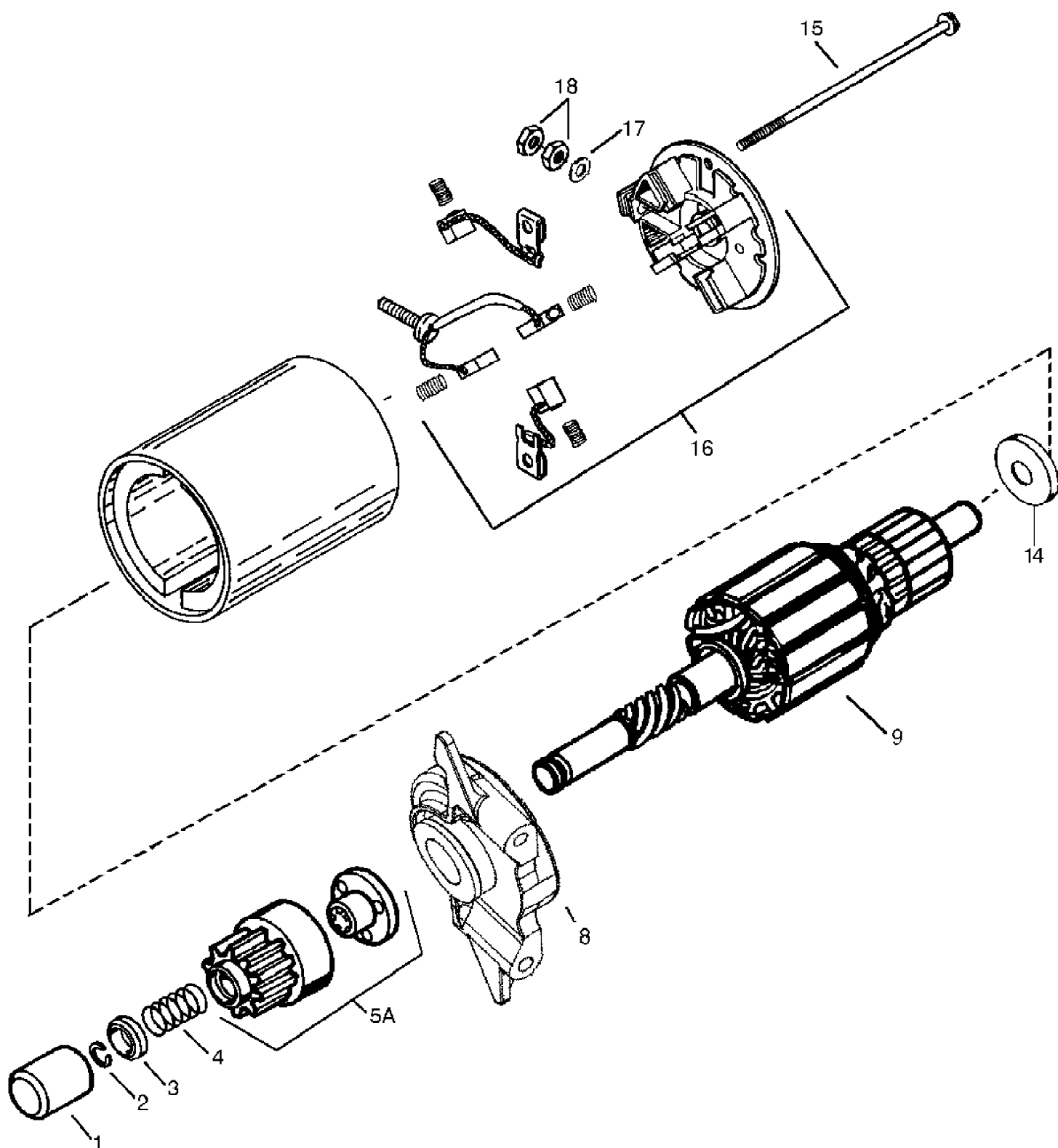


13B4516N190 RD-1750 (2003)
Starter TVT691-600405B

Page 63 of 69

Ref #	Part Number	Qty	S/P/F	Description
	TC-37284	1	/P	Electric Starter (12 Volt)
1	TC-33841	1		Dust Cover
2	TC-33842	1		Retainer Ring
3	TC-33843	1		Spring Retainer
4	TC-33854	1		Anti-drift Spring
5A	TC-36853	1		Gear & Nut (Incl. 2)
8	TC-36854	1		Drive End Cap Assembly
9	TC-36855	1		Armature
14	TC-35897	1		Thrust Washer
15	TC-36856	1		Case Bolt
16	TC-37356	1		End Cap & Brush Card Ass'y (Incl. 14, 17, & 18)
17	TC-650168	1		Washer
18	TC-650864	1	/P	Nut
	TC-822500	1	S	Replacement Engine for TVT691-600405B only
		1		Shortblock (not shown)

13B4516N190 RD-1750 (2003)
Starter TVT691-600810B

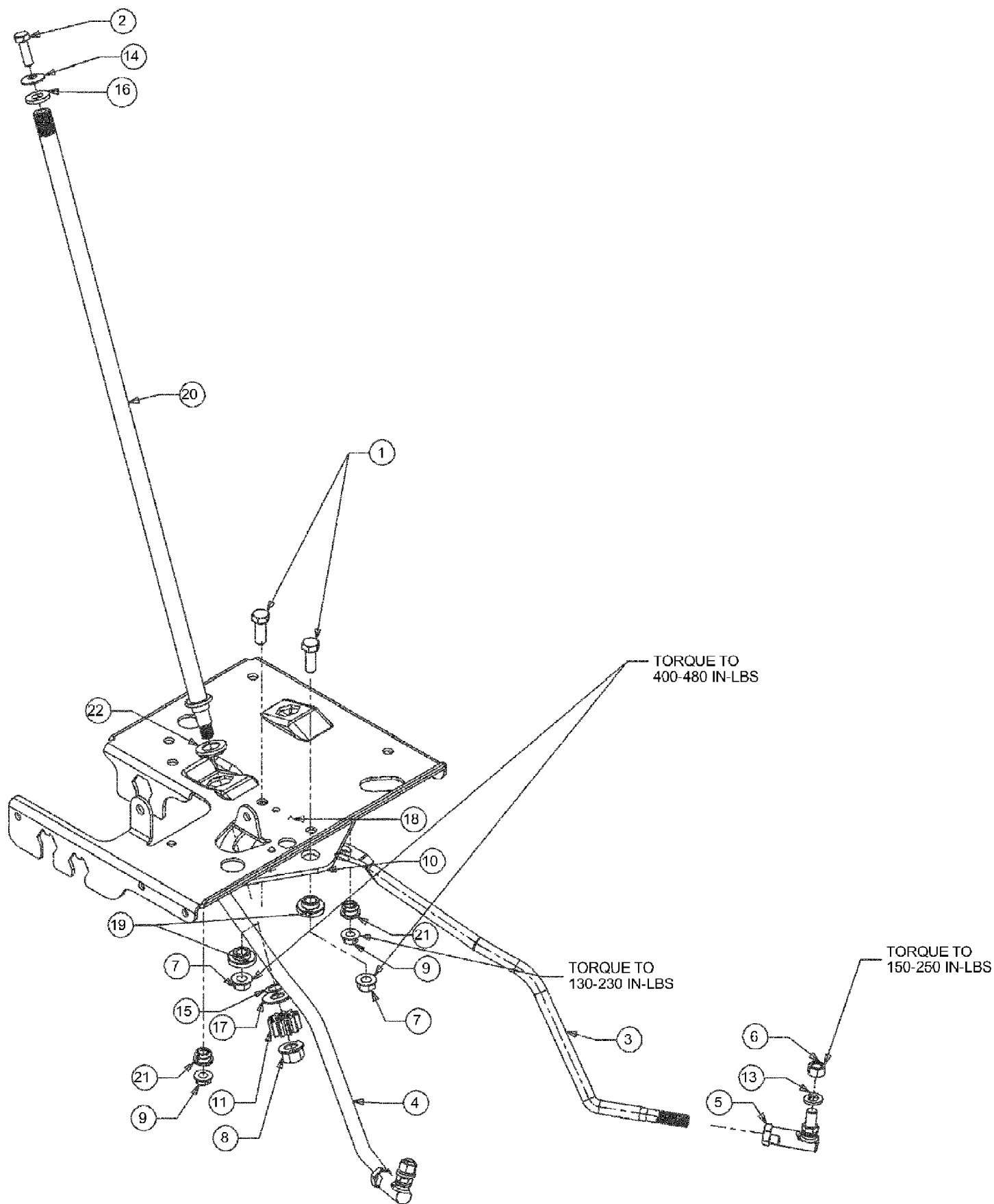


13B4516N190 RD-1750 (2003)
Starter TVT691-600810B

Page 65 of 69

Ref #	Part Number	Qty	S/P/F	Description
	TC-37284	1	/P	Electric Starter (12 Volt)
1	TC-33841	1		Dust Cover
2	TC-33842	1		Retainer Ring
3	TC-33843	1		Spring Retainer
4	TC-33854	1		Anti-drift Spring
5A	TC-36853	1		Gear & Nut (Incl. 2)
8	TC-36854	1		Drive End Cap Assembly
9	TC-36855	1		Armature
14	TC-35897	1		Thrust Washer
15	TC-36856	1		Case Bolt
16	TC-37356	1		End Cap & Brush Card Ass'y (Incl. 14, 17, & 18)
17	TC-650168	1		Washer
18	TC-650864	1	/P	Nut
		1		Replacement Engine
		1		Shortblock (not shown)

13B4516N190 RD-1750 (2003)
Steering

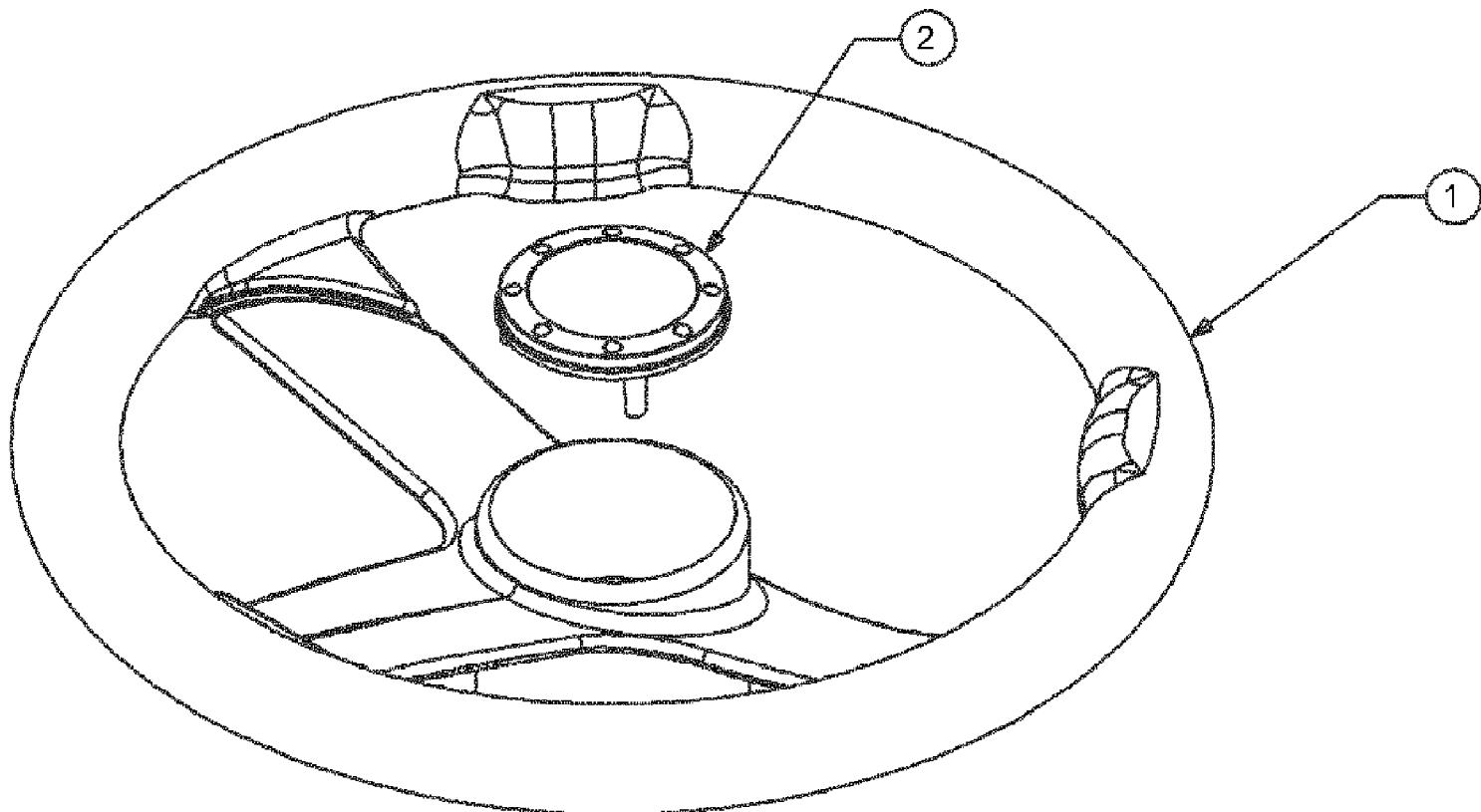


13B4516N190 RD-1750 (2003)
Steering

Page 67 of 69

Ref #	Part Number	Qty	S/P/F	Description
?23	783-1335A	1		BRKT:SUPT:STRG:500
22	741-0656	1	S	BRG:HEX FLNG 5/8
21	741-0475	2	S	PLASTIC BUSHING .380 ID
20	738-1001A	1	/P	SHF:STRG:.625 OD x 24.25 LG
19	738-0372B	2	/P	SPCR:SHLDR:1.00 X .38 X .38
18	737-3007	1		GRES:ALVANIA EP 2
17	736-3084	1	/P	WASH:FLAT:.510 X 1.120 X .060
16	736-3004	1	S	WASH:FL:.406IDX.875ODX.105
15	736-0770	1		WASH:FLAT:13 X 19 X .3 DIN 988
14	736-0242	1	/P	WASH:BELL:.340 X.872 X.060
13	736-0169	2	S	WASH:LOCK:3/8:REGULAR DUTY
?12	723-0448A	2	S	B/JNT:7/16-20:LOCK
11	717-1554	1		GEAR:PNION:STRG
10	717-1550E	1	S	GEAR:STRG:11/90 RATIO
9	712-3004A	2	/P	NUT:FLGLK:5/16-18:GR5:SD LK
8	712-0459	1	/P	NUT:FLGLK:7/16-20:GRB:LOCK
7	712-0431	2	S	NUT:FLGLK:3/8-16:GRF:TOP LK
6	712-0241	2	/P	NUT:HEX:3/8-24:GR5
5	712-0240	2	S	NUT:JAM:7/16-20:GR2
4	711-1776A	1		LINK:DRAG:RH
3	711-1775A	1		LINK:DRAG:LH
2	710-0643	1	/P	HHCS:5/16-18:1.00:GR5:LOCK
1	710-0514	2	/P	HHCS:3/8-16:1.00:GR5:STD

13B4516N190 RD-1750 (2003)
Steering Wheel



13B4516N190 RD-1750 (2003)
Steering Wheel

Ref #	Part Number	Qty	S/P/F	Description
2	731-2625	1		WHL:STRG:CAP
1	731-2624	1		WHL:STRG:SOFT GRIP THREE SPOKE